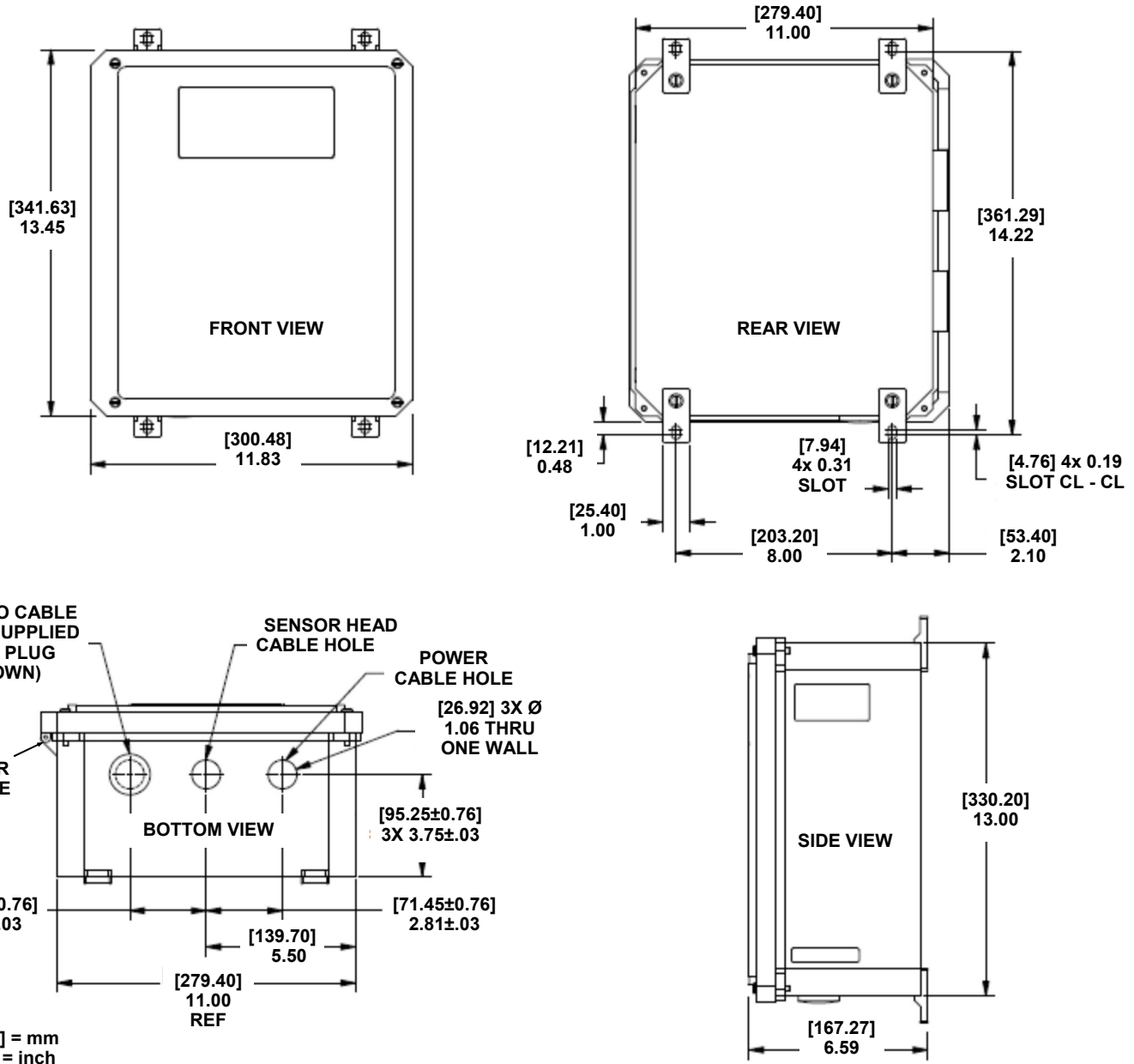


## SONARtrac<sup>®</sup> - Transmitter Envelope

The dimensions of the Model VF-100, GVF-100, VF-100/GVF-100, HD VF-100, and HD VF/GVF-100 transmitters are given on the following figures.



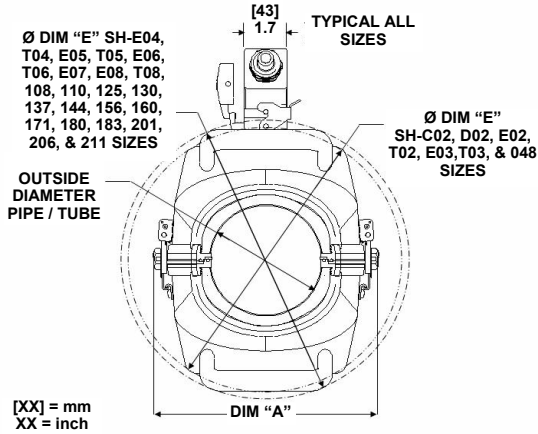
Transmitters are compatible with all sensor head assemblies independent of pipe size.

Weight: 12 lbs (5.4 kg)

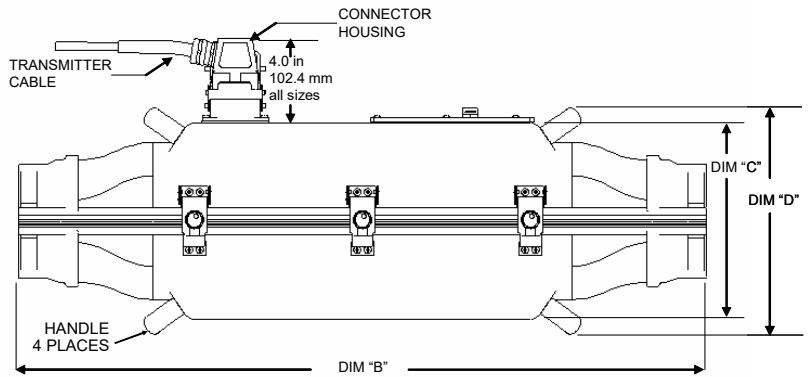
Electrical Power Requirements:

AC Version 100 to 240 Volts AC, 50/60 Hz, 25 watts

DC Version 18 to 36 Volts DC, 25 watts



End View Typical of 2" Through 8" & Metric Equivalent Sensor Heads

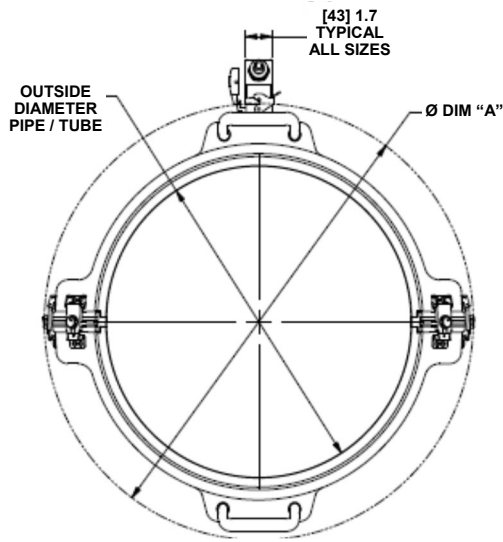


Side View Typical of 2" Through 8" & Metric Equivalent Sensor Heads  
Handles Not Available on 2" and 3" Covers

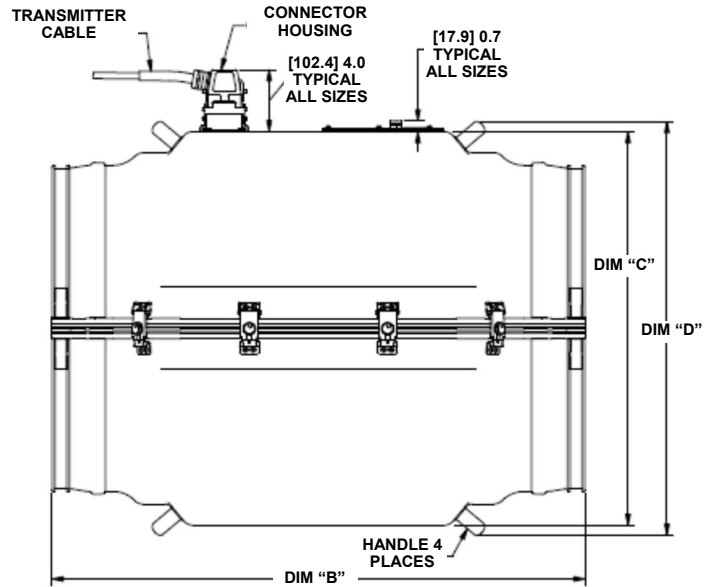
## Fiberglass Sensor Head Cover Envelope 2" to 8" (46mm - 214mm) Pipe Size (Gen 2)

Model No	Pipe / Tube Nominal Size		Pipe / Tube Outside Diameter		Dim 'A'		Dim 'B'		Dim 'C'		Dim 'D'		Dim 'E'		Weight (approx.)	
	Inch/mm	Pipe/Tube	inch	mm	inch	mm	inch	mm	inch	mm	inch	mm	inch	mm	lb	kg
SH-E02	2/50	Pipe	2.38	60	7.4	188	32.8	832	7.1	180	N/A	N/A	8.7	221	16.5	7.48
SH-T02	2/50	Tube	2.00	51	7.4	188	32.8	832	7.1	180	N/A	N/A	8.7	221	16.5	7.48
SH-C02	2.5/64	Pipe	2.88	73	7.4	188	32.8	832	8.2	208	N/A	N/A	9.6	244	17	7.71
SH-D02	2.5/64	Tube	2.50	64	7.4	188	32.8	832	8.2	208	N/A	N/A	9.6	244	17	7.71
SH-E03	3/75	Pipe	3.50	89	7.4	188	32.8	832	8.2	208	N/A	N/A	9.6	244	17	7.71
SH-T03	3/76	Tube	3.00	76	7.4	188	32.8	832	8.2	208	N/A	N/A	9.6	244	17	7.71
SH-E04	4/100	Pipe	4.50	114	8.9	226	32.8	832	9.3	237	10.8	273	11.5	292	21	9.53
SH-T04	4/102	Tube	4.00	102	8.9	226	32.8	832	9.3	237	10.8	273	11.5	292	21	9.53
SH-E05	5/125	Pipe	5.56	141	11.9	302	33.9	860	12.1	308	13.5	344	14.1	358	26.5	12.02
SH-T05	5/127	Tube	5.00	127	11.9	302	33.9	860	12.1	308	13.5	344	14.1	358	26.5	12.02
SH-E06	6/150	Pipe	6.63	168	11.9	302	33.9	860	12.1	308	13.5	344	14.1	358	26.5	12.02
SH-T06	6/152	Tube	6.00	152	11.9	302	33.9	860	12.1	308	13.5	344	14.1	358	26.5	12.02
SH-E07	7/—	Pipe	7.63	194	15.6	396	33.9	860	14.2	361	15.6	397	16.1	409	31	14.06
SH-E08	8/200	Pipe	8.63	219	15.6	396	33.9	860	14.2	361	15.6	397	16.1	409	31	14.06
SH-T08	8/203	Tube	8.00	203	15.6	396	33.9	860	14.2	361	15.6	397	16.1	409	31	14.06
SH-048	—	—	1.89	48	7.4	188	32.8	832	7.1	180	N/A	N/A	8.7	221	16.5	7.48
SH-108	—	—	4.25	108	8.9	226	32.8	832	9.3	237	10.8	273	11.5	292	21	9.53
SH-110	—	—	4.33	110	8.9	226	32.8	832	9.3	237	10.8	273	11.5	292	21	9.53
SH-122	—	—	4.80	122	11.9	302	33.9	860	12.1	308	13.5	344	14.1	358	26.5	12.02
SH-125	—	—	4.92	125	11.9	302	33.9	860	12.1	308	13.5	344	14.1	358	26.5	12.02
SH-130	—	—	5.12	130	11.9	302	33.9	860	12.1	308	13.5	344	14.1	358	26.5	12.02
SH-137	—	—	5.39	137	11.9	302	33.9	860	12.1	308	13.5	344	14.1	358	26.5	12.02
SH-144	—	—	5.67	144	11.9	302	33.9	860	12.1	308	13.5	344	14.1	358	26.5	12.02
SH-156	—	—	6.14	156	11.9	302	33.9	860	12.1	308	13.5	344	14.1	358	26.5	12.02
SH-160	—	—	6.30	160	11.9	302	33.9	860	12.1	308	13.5	344	14.1	358	26.5	12.02
SH-171	—	—	6.73	171	15.6	396	33.9	860	14.2	361	15.6	397	16.1	409	31	14.06
SH-175	—	—	6.89	175	15.6	396	33.9	860	14.2	361	15.6	397	16.1	409	31	14.06
SH-180	—	—	7.09	180	15.6	396	33.9	860	14.2	361	15.6	397	16.1	409	31	14.06
SH-183	—	—	7.21	183	15.6	396	33.9	860	14.2	361	15.6	397	16.1	409	31	14.06
SH-201	—	—	7.91	201	15.6	396	33.9	860	14.2	361	15.6	397	16.1	409	31	14.06
SH-206	—	—	8.11	206	15.6	396	33.9	860	14.2	361	15.6	397	16.1	409	31	14.06
SH-211	—	—	8.31	211	15.6	396	33.9	860	14.2	361	15.6	397	16.1	409	31	14.06

1. Dimensions and weights are for reference only. These may change without notice. Contact CIDRA for latest information.  
2. All sensor head assemblies, independent of pipe size, are compatible with all transmitters.



End View Typical of 10" Through 16" & Metric Equivalent Sensor Heads



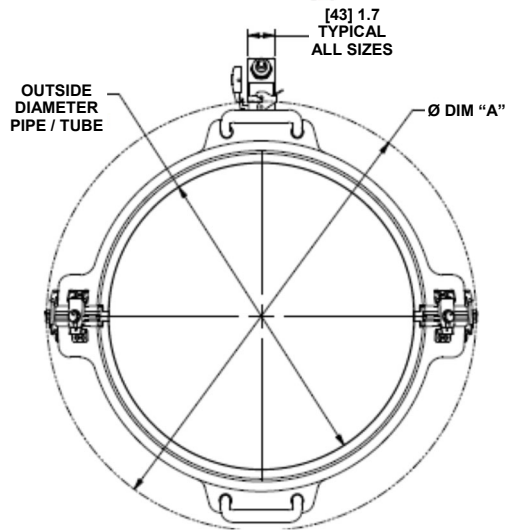
Side View Typical of 10" Through 16" & Metric Equivalent Sensor Heads

## Fiberglass Sensor Head Cover Envelope 10" to 16" (222mm - 404mm) Pipe Size (Gen 2)

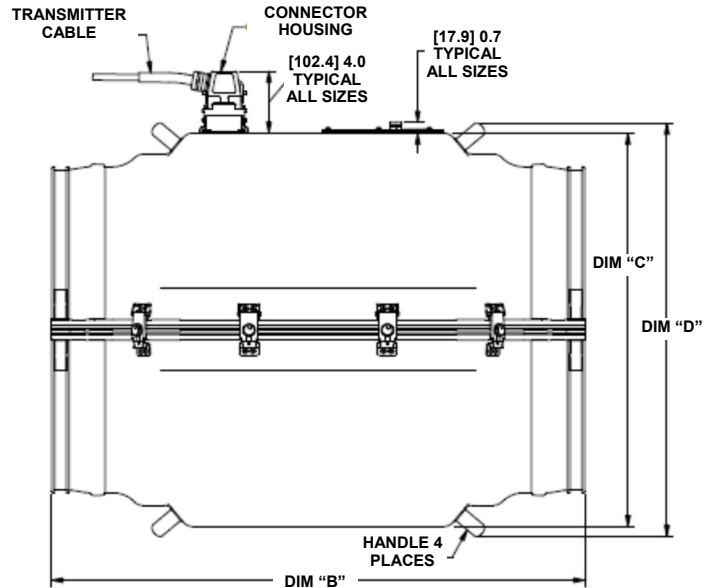
Model No	Pipe / Tube Nominal Size		Pipe Outside Diameter		Dim 'A'		Dim 'B'		Dim 'C'		Dim 'D'		Weight	
	inch	mm	inch	mm	inch	mm	inch	mm	inch	mm	inch	mm	lbs	kg
SH-E10	10 Pipe	250	10.75	273	18.1	459	34.7	881	16.3	415	17.7	451	35.5	16.10
SH-T10	10 Tube	254	10.00	254	18.1	459	34.7	881	16.3	415	17.7	451	35.5	16.10
SH-E12	12 Pipe	300	12.75	324	20.3	516	34.7	881	18.3	466	19.7	500	39	17.69
SH-T12	12 Tube	305	12.00	305	20.3	516	34.7	881	18.3	466	19.7	500	39	17.69
SH-E14	14	350	14.00	356	21.7	550	34.7	881	19.6	497	21.0	533	41.5	18.82
SH-E16	16	400	16.00	406	24.0	605	34.7	881	21.6	548	23.3	584	46	20.87
SH-225	—	—	8.86	225	18.1	459	34.7	881	16.3	415	17.7	451	35.5	16.10
SH-228	—	—	8.98	228	18.1	459	34.7	881	16.3	415	17.7	451	35.5	16.10
SH-232	—	—	9.13	232	18.1	459	34.7	881	16.3	415	17.7	451	35.5	16.10
SH-235	—	—	9.25	235	18.1	459	34.7	881	16.3	415	17.7	451	35.5	16.10
SH-243	—	—	9.57	243	18.1	459	34.7	881	16.3	415	17.7	451	35.5	16.10
SH-246	—	—	9.69	246	18.1	459	34.7	881	16.3	415	17.7	451	35.5	16.10
SH-250	—	—	9.84	250	18.1	459	34.7	881	16.3	415	17.7	451	35.5	16.10
SH-276	—	—	10.87	276	20.3	516	34.7	881	18.3	466	19.7	500	39	17.69
SH-280	—	—	11.02	280	20.3	516	34.7	881	18.3	466	19.7	500	39	17.69
SH-283	—	—	11.14	283	20.3	516	34.7	881	18.3	466	19.7	500	39	17.69
SH-287	—	—	11.30	287	20.3	516	34.7	881	18.3	466	19.7	500	39	17.69
SH-297	—	—	11.69	297	20.3	516	34.7	881	18.3	466	19.7	500	39	17.69
SH-308	—	—	12.13	308	20.3	516	34.7	881	18.3	466	19.7	500	39	17.69
SH-312	—	—	12.28	312	20.3	516	34.7	881	18.3	466	19.7	500	39	17.69
SH-315	—	—	12.40	315	20.3	516	34.7	881	18.3	466	19.7	500	39	17.69
SH-318	—	—	12.52	318	20.3	516	34.7	881	18.3	466	19.7	500	39	17.69
SH-327	—	—	12.87	327	21.7	550	34.7	881	19.6	497	21.0	533	41.5	18.82
SH-331	—	—	13.03	331	21.7	550	34.7	881	19.6	497	21.0	533	41.5	18.82
SH-335	—	—	13.19	335	21.7	550	34.7	881	19.6	497	21.0	533	41.5	18.82
SH-339	—	—	13.35	339	21.7	550	34.7	881	19.6	497	21.0	533	41.5	18.82
SH-350	—	—	13.78	350	21.7	550	34.7	881	19.6	497	21.0	533	41.5	18.82
SH-353	—	—	13.90	353	21.7	550	34.7	881	19.6	497	21.0	533	41.5	18.82
SH-359	—	—	14.13	359	24.0	605	34.7	881	21.6	548	23.0	584	46	20.87
SH-363	—	—	14.29	363	24.0	605	34.7	881	21.6	548	23.0	584	46	20.87
SH-367	—	—	14.45	367	24.0	605	34.7	881	21.6	548	23.0	584	46	20.87
SH-377	—	—	14.84	377	24.0	605	34.7	881	21.6	548	23.0	584	46	20.87
SH-388	—	—	15.28	388	24.0	605	34.7	881	21.6	548	23.0	584	46	20.87
SH-400	—	—	15.75	400	24.0	605	34.7	881	21.6	548	23.0	584	46	20.87

1. Dimensions and weights are for reference only. These may change without notice. Contact CiDRA for latest information.

2. All sensor head assemblies, independent of pipe size, are compatible with all transmitters.



End View Typical of 17" Through 30" Sensor Heads



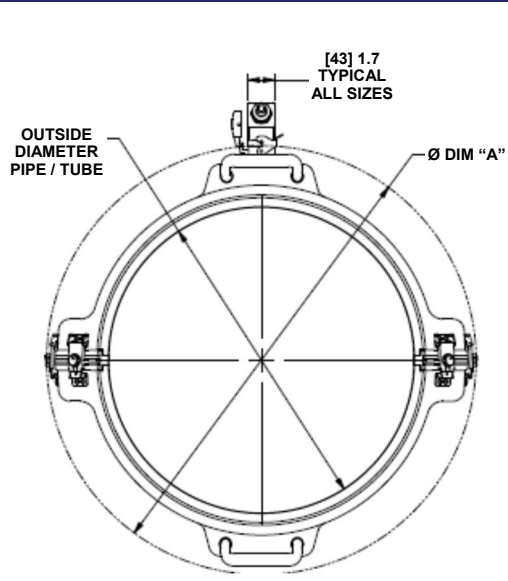
Side View Typical of 17" Through 30" Sensor Heads

## Fiberglass Sensor Head Cover Envelope 17" to 30" Pipe Size (Gen 2)

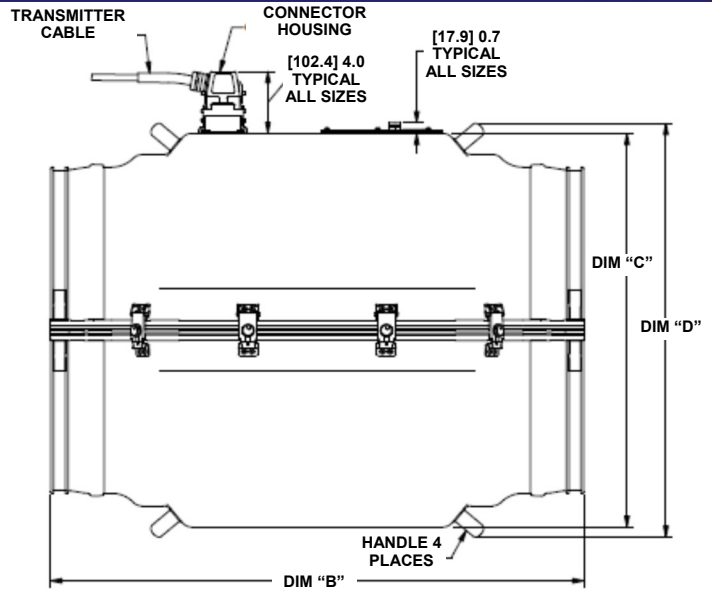
Model No	Pipe / Tube Nominal Size		Pipe Outside Diameter		Dim 'A'		Dim 'B'		Dim 'C'		Dim 'D'		Weight	
	inch	mm	inch	mm	inch	mm	inch	mm	inch	mm	inch	mm	lbs	kg
SH-E17	17	425	17.0	432	26.0	659	34.7	881	23.6	599	25.6	650	50.5	22.91
SH-E18	18	450	18.0	457	26.0	659	34.7	881	23.6	599	25.6	650	50.5	22.91
SH-E20	20	500	20.0	508	28.0	712	34.7	881	25.6	651	27.6	702	54.5	24.72
SH-E22	22	550	22.0	559	30.1	765	34.7	881	27.6	701	29.6	751	69	31.30
SH-E24	24	600	24.0	610	32.2	818	34.7	881	29.6	751	31.6	802	74	33.57
SH-E25	25	625	25.0	635	34.3	870	34.7	881	31.6	802	33.6	853	79	35.83
SH-E26	26	650	26.0	660	34.3	870	34.7	881	31.6	802	33.6	853	79	35.83
SH-E27	27	675	27.0	686	36.3	922	34.7	881	33.6	853	35.6	904	84	38.10
SH-E28	28	700	28.0	711	36.3	922	34.7	881	33.6	853	35.6	904	84	38.10
SH-E30	30	750	30.0	762	38.4	974	34.7	881	35.6	904	37.6	955	89.5	40.60

1. Dimensions and weights are for reference only. These may change without notice. Contact CIDRA for latest information.

2. All sensor head assemblies, independent of pipe size, are compatible with all transmitters.



[XX] = mm  
XX = inch



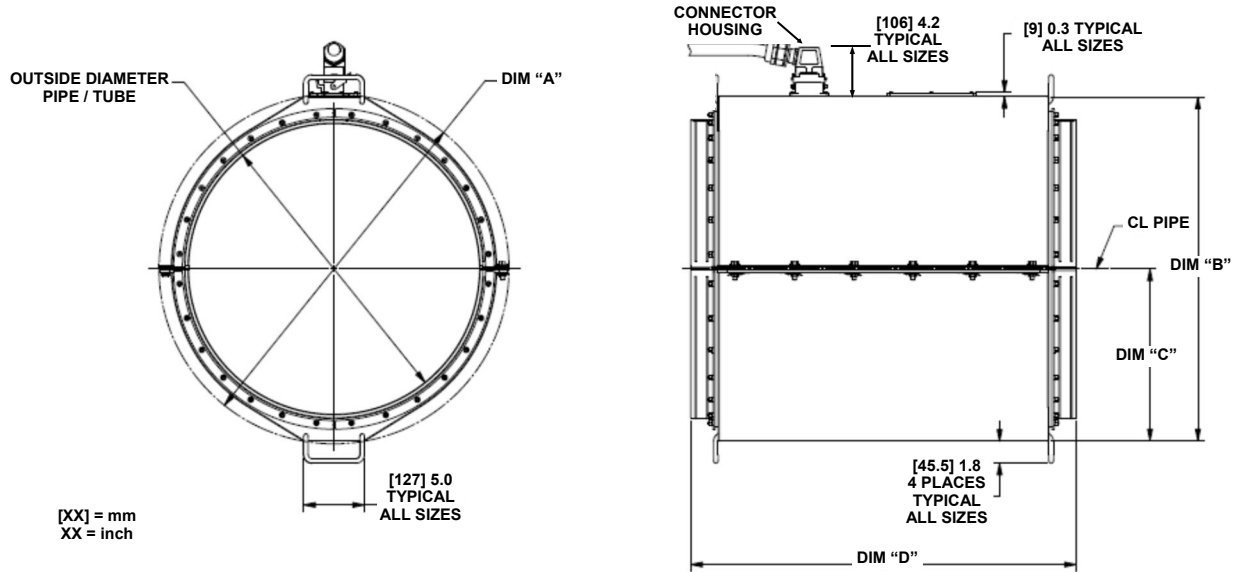
End View Typical of 410mm Through 758mm Sensor Heads

Side View Typical of 410mm Through 758mm Sensor Heads

## Fiberglass Sensor Head Cover Envelope 410mm - 758mm Pipe Size (Gen 2)

Model No	Pipe / Tube Nominal Size		Pipe Outside Diameter		Dim 'A'		Dim 'B'		Dim 'C'		Dim 'D'		Weight	
	inch	mm	inch	mm	inch	mm	inch	mm	inch	mm	inch	mm	lbs	kg
SH-414	—	—	16.3	414	26.0	659	34.7	881	23.6	599	25.6	650	50.5	22.91
SH-418	—	—	16.5	418	26.0	659	34.7	881	23.6	599	25.6	650	50.5	22.91
SH-426	—	—	16.8	426	26.0	659	34.7	881	23.6	599	25.6	650	50.5	22.91
SH-429	—	—	16.9	429	26.0	659	34.7	881	23.6	599	25.6	650	50.5	22.91
SH-435	—	—	17.1	435	26.0	659	34.7	881	23.6	599	25.6	650	50.5	22.91
SH-450	—	—	17.7	450	26.0	659	34.7	881	23.6	599	25.6	650	50.5	22.91
SH-462	—	—	18.2	462	28.0	712	34.7	881	25.6	651	27.6	702	54.5	24.72
SH-466	—	—	18.3	466	28.0	712	34.7	881	25.6	651	27.6	702	54.5	24.72
SH-477	—	—	18.8	477	28.0	712	34.7	881	25.6	651	27.6	702	54.5	24.72
SH-481	—	—	18.9	481	28.0	712	34.7	881	25.6	651	27.6	702	54.5	24.72
SH-486	—	—	19.1	486	28.0	712	34.7	881	25.6	651	27.6	702	54.5	24.72
SH-500	—	—	19.7	500	28.0	712	34.7	881	25.6	651	27.6	702	54.5	24.72
SH-512	—	—	20.2	512	30.1	765	34.7	881	27.6	701	29.6	751	69	31.30
SH-517	—	—	20.4	517	30.1	765	34.7	881	27.6	701	29.6	751	69	31.30
SH-529	—	—	20.8	529	30.1	765	34.7	881	27.6	701	29.6	751	69	31.30
SH-550	—	—	21.7	550	30.1	765	34.7	881	27.6	701	29.6	751	69	31.30
SH-563	—	—	22.2	563	32.2	818	34.7	881	29.6	751	31.6	802	74	33.57
SH-594	—	—	23.4	594	32.2	818	34.7	881	29.6	751	31.6	802	74	33.57
SH-618	—	—	24.3	618	34.3	870	34.7	881	31.6	802	33.6	853	79	35.83
SH-626	—	—	24.6	626	34.3	870	34.7	881	31.6	802	33.6	853	79	35.83
SH-631	—	—	24.8	631	34.3	870	34.7	881	31.6	802	33.6	853	79	35.83
SH-652	—	—	25.7	652	34.3	870	34.7	881	31.6	802	33.6	853	79	35.83
SH-674	—	—	26.5	674	36.3	922	34.7	881	33.6	853	35.6	904	84	38.10
SH-682	—	—	26.9	682	36.3	922	34.7	881	33.6	853	35.6	904	84	38.10
SH-690	—	—	27.2	690	36.3	922	34.7	881	33.6	853	35.6	904	84	38.10
SH-716	—	—	28.2	716	38.4	974	34.7	881	35.6	904	37.6	955	89.5	40.60
SH-720	—	—	28.4	720	38.4	974	34.7	881	35.6	904	37.6	955	89.5	40.60
SH-728	—	—	28.7	728	38.4	974	34.7	881	35.6	904	37.6	955	89.5	40.60
SH-745	—	—	29.3	745	38.4	974	34.7	881	35.6	904	37.6	955	89.5	40.60

1. Dimensions and weights are for reference only. These may change without notice. Contact CIDRA for latest information.
2. All sensor head assemblies, independent of pipe size, are compatible with all transmitters.



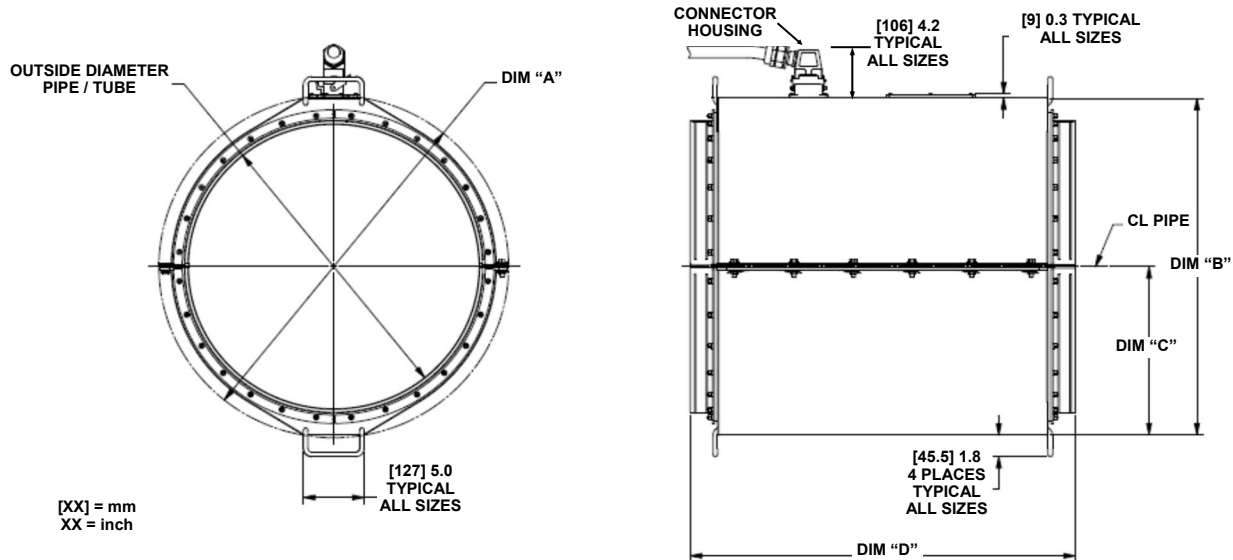
**Stainless Steel Sensor Head Cover Envelope 17" to 60" Pipe Size with Harting Connector**

Model No	Pipe / Tube Nominal Size		Outside Dia		Dim 'A'		Dim 'B'		Dim 'C'		Dim 'D'		Weight (approx.)	
	inch	mm	inch	mm	inch	mm	inch	mm	inch	mm	inch	mm	lbs	kg
SH-E17	17	425	17.0	432	21.9	556	21.4	543	10.7	272	31.7	805	75	34
SH-E18	18	450	18.0	457	22.9	581	22.4	568	11.2	284	31.7	805	77	35
SH-E20	20	500	20.0	508	24.8	631	24.4	619	12.2	310	31.7	805	82	37
SH-E22	22	550	22.0	559	26.8	681	26.4	671	13.2	335	31.7	805	87	39
SH-E24	24	600	24.0	610	28.8	731	28.4	721	14.2	361	31.7	805	93	42
SH-E25	25	625	25.0	635	29.8	756	29.4	746	14.7	373	31.7	805	95	43
SH-E26	26	650	26.0	660	30.8	781	30.4	772	15.2	386	31.7	805	98	44
SH-E27	27	675	27.0	686	31.7	806	31.4	797	15.7	399	31.7	805	101	46
SH-E28	28	700	28.0	711	32.7	831	32.4	822	16.2	411	31.7	805	104	47
SH-E30	30	750	30.0	762	34.7	881	34.4	873	17.2	437	31.7	805	109	49
SH-E32	32	800	32.0	813	36.7	932	36.4	924	18.2	462	31.7	805	114	52
SH-E33	33	825	33.0	838	37.7	957	37.4	949	18.7	475	31.7	805	117	53
SH-E34	34	850	34.0	864	38.7	983	38.4	975	19.2	488	31.7	805	120	54
SH-E36	36	900	36.0	914	40.8	1035	40.4	1026	20.2	514	31.7	805	125	57
SH-E38	38	950	38.0	965	42.7	1085	42.5	1080	21.2	538	51.2	1300	246	112
SH-E40	40	1000	40.0	1016	44.7	1135	44.5	1130	22.2	564	51.2	1300	252	114
SH-E42	42	1050	42.0	1067	46.7	1186	46.5	1181	23.2	589	51.2	1300	261	118
SH-E45	45	1125	45.0	1143	49.7	1262	49.5	1257	24.7	627	51.2	1300	275	125
SH-E48	48	1200	48.0	1219	52.7	1339	52.5	1334	26.2	665	51.2	1300	290	132
SH-E54	54	1350	54.0	1372	58.7	1491	58.5	1486	29.2	742	51.2	1300	319	145
SH-E60	60	1500	60.0	1524	64.7	1643	64.5	1638	32.2	818	51.2	1300	348	158

1. Dimensions and weights are for reference only. These may change without notice. Contact CiDRA for latest information.

2. All sensor head assemblies, independent of pipe size, are compatible with all transmitters.



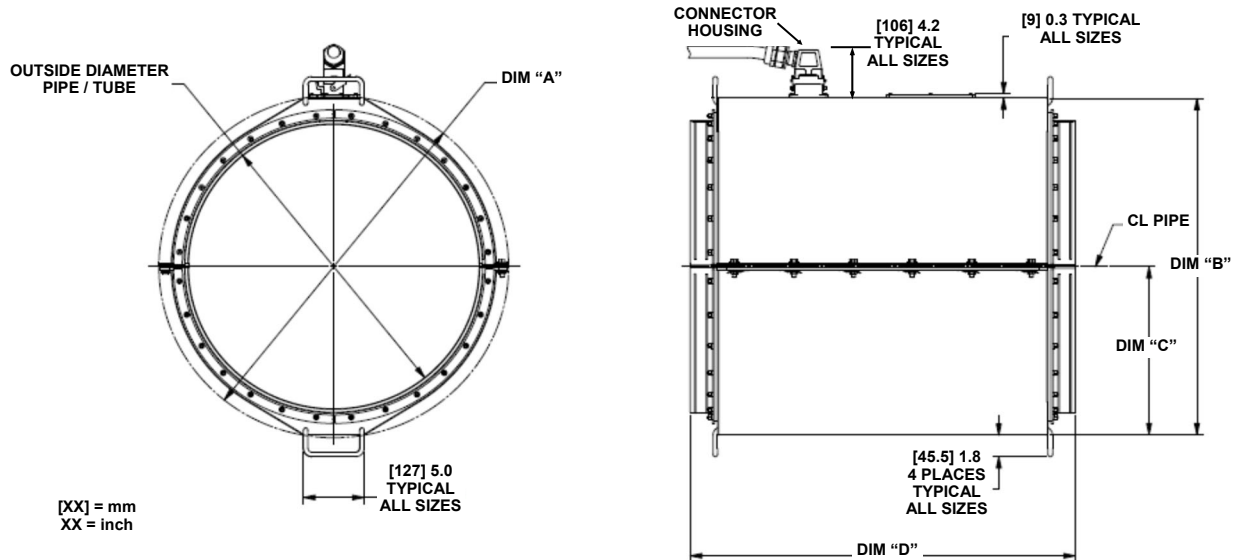


**Stainless Steel Sensor Head Cover Envelope 359mm to 699mm Pipe Size with Harting Connector**

Model No	Pipe / Tube Nominal Size		Outside Dia		Dim 'A'		Dim 'B'		Dim 'C'		Dim 'D'		Weight (approx.)	
	inch	mm	inch	mm	inch	mm	inch	mm	inch	mm	inch	mm	lbs	kg
SH-359	—	—	14.1	359	19.1	485	18.5	469	9.2	235	31.7	805	68	31
SH-367	—	—	14.4	367	19.4	493	18.8	478	9.4	239	31.7	805	69	31
SH-426	—	—	16.8	426	21.7	550	21.1	537	10.6	268	31.7	805	75	34
SH-429	—	—	16.9	429	21.8	553	21.3	540	10.6	270	31.7	805	75	34
SH-435	—	—	17.1	435	22.0	559	21.5	546	10.7	273	31.7	805	76	34
SH-450	—	—	17.7	450	22.6	574	22.1	561	11.0	281	31.7	805	77	35
SH-462	—	—	18.2	462	23.0	585	22.5	572	11.3	286	31.7	805	78	35
SH-466	—	—	18.3	466	23.2	589	22.7	577	11.4	288	31.7	805	78	35
SH-477	—	—	18.8	477	23.6	601	23.2	588	11.6	294	31.7	805	79	36
SH-481	—	—	18.9	481	23.8	605	23.3	592	11.7	296	31.7	805	79	36
SH-486	—	—	19.1	486	24.0	609	23.5	596	11.7	298	31.7	805	80	36
SH-500	—	—	19.7	500	24.5	623	24.1	611	12.0	305	31.7	805	81	37
SH-512	—	—	20.2	512	25.0	635	24.5	623	12.3	312	31.7	805	82	37
SH-517	—	—	20.4	517	25.2	639	24.7	627	12.4	314	31.7	805	83	38
SH-529	—	—	20.8	529	25.7	652	25.2	640	12.6	320	31.7	805	84	38
SH-550	—	—	21.7	550	26.5	672	26.0	661	13.0	330	31.7	805	87	39
SH-563	—	—	22.2	563	26.9	683	26.5	674	13.3	337	31.7	805	88	40
SH-594	—	—	23.4	594	28.2	715	27.8	705	13.9	352	31.7	805	91	41
SH-618	—	—	24.3	618	29.1	739	28.7	729	14.4	365	31.7	805	94	43
SH-626	—	—	24.6	626	29.4	747	29.0	737	14.5	369	31.7	805	95	43
SH-631	—	—	24.8	631	29.6	752	29.2	742	14.6	371	31.7	805	95	43
SH-652	—	—	25.7	652	30.4	772	30.0	763	15.0	381	31.7	805	97	44
SH-674	—	—	26.5	674	31.2	792	30.9	784	15.4	392	31.7	805	100	45
SH-682	—	—	26.9	682	31.6	802	31.2	793	15.6	396	31.7	805	101	46
SH-690	—	—	27.2	690	31.9	810	31.5	801	15.8	400	31.7	805	102	46

1. Dimensions and weights are for reference only. These may change without notice. Contact CIDRA for latest information.

2. All sensor head assemblies, independent of pipe size, are compatible with all transmitters.



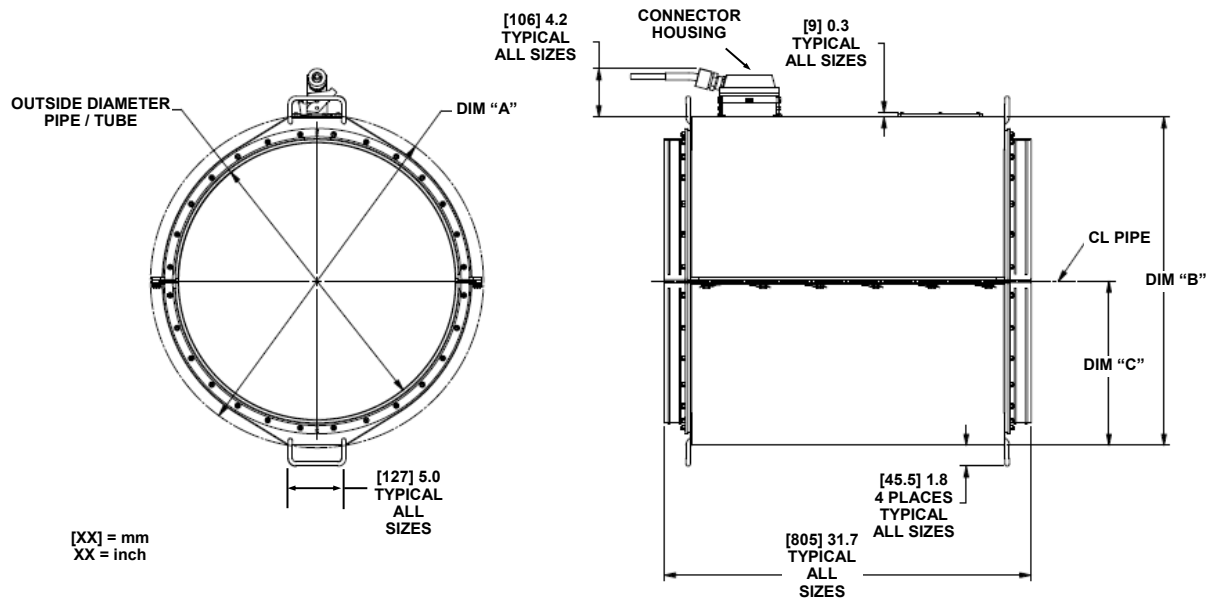
**Stainless Steel Sensor Head Cover Envelope 703mm to 1541mm Pipe Size with Harting Connector**

Model No	Pipe / Tube Nominal Size		Outside Dia		Dim 'A'		Dim 'B'		Dim 'C'		Dim 'D'		Weight (approx.)	
	inch	mm	inch	mm	inch	mm	inch	mm	inch	mm	inch	mm	lbs	kg
SH-716	—	—	28.2	716	32.9	835	32.5	826	16.3	413	31.7	805	105	48
SH-720	—	—	28.4	720	33.1	839	32.7	831	16.4	415	31.7	805	105	48
SH-728	—	—	28.7	728	33.4	848	33.0	839	16.5	419	31.7	805	106	48
SH-745	—	—	29.3	745	34.0	865	33.7	856	16.9	428	31.7	805	107	49
SH-766	—	—	30.2	766	34.9	885	34.5	877	17.3	439	31.7	805	110	50
SH-771	—	—	30.4	771	35.0	890	34.7	881	17.4	441	31.7	805	111	50
SH-801	—	—	31.5	801	36.2	919	35.9	912	18.0	456	31.7	805	113	51
SH-822	—	—	32.4	822	37.0	940	36.7	932	18.4	466	31.7	805	115	52
SH-900	—	—	35.4	900	40.0	1016	39.7	1008	19.9	504	31.7	805	123	56
SH-902	—	—	35.5	902	40.2	1020	39.9	1013	19.9	506	31.7	805	123	56
SH-919	—	—	36.2	919	40.8	1037	40.5	1029	20.3	515	31.7	805	125	57
SH-923	—	—	36.3	923	41.1	1043	40.8	1036	20.4	518	31.7	805	126	57
SH-970	—	—	38.2	970	42.9	1090	42.6	1083	21.3	541	51.2	1300	246	112
SH-999	—	—	39.3	999	44.1	1119	43.8	1113	21.9	556	51.2	1300	249	113
SH-H20	—	—	40.2	1020	44.9	1140	44.6	1134	22.3	567	51.2	1300	252	114
SH-H37	—	—	40.8	1037	45.6	1157	45.3	1151	22.7	575	51.2	1300	255	116
SH-H76	—	—	42.4	1076	47.0	1195	46.8	1189	23.4	594	51.2	1300	262	119
SH-J14	—	—	43.9	1114	48.5	1233	48.3	1227	24.2	613	51.2	1300	270	122
SH-K24	—	—	48.2	1224	52.8	1342	52.6	1337	26.3	668	51.2	1300	292	132
SH-K33	—	—	48.5	1233	53.2	1351	53.0	1346	26.5	673	51.2	1300	296	134
SH-M76	—	—	54.2	1376	58.8	1494	58.6	1489	29.3	745	51.2	1300	322	146

1. Dimensions and weights are for reference only. These may change without notice. Contact CIDRA for latest information.

2. All sensor head assemblies, independent of pipe size, are compatible with all transmitters.





## Stainless Steel Sensor Head Cover Envelope 17" to 36" (426mm to 594mm) Pipe Size with Lapp Connector

Model No	Pipe / Tube Nominal Size		Outside Dia		Dim 'A'		Dim 'B'		Dim 'C'		Weight (approx.)	
	inch	mm	inch	mm	inch	mm	inch	mm	inch	mm	lbs	kg
SH-E17	17	425	17.0	432	22.9	581	22.4	568	11.2	284	77	35
SH-E18	18	450	18.0	457	22.9	581	22.4	568	11.2	284	77	35
SH-E20	20	500	20.0	508	24.8	631	24.4	619	12.2	310	82	37
SH-E22	22	550	22.0	559	26.8	681	26.4	671	13.2	335	87	39
SH-E24	24	600	24.0	610	28.8	731	28.4	721	14.2	361	93	42
SH-E26	26	650	26.0	660	30.8	781	30.4	772	15.2	386	98	44
SH-E28	28	700	28.0	711	32.7	831	32.4	822	16.2	411	104	47
SH-E30	30	750	30.0	762	34.7	881	34.4	873	17.2	437	109	49
SH-E32	32	800	32.0	813	36.7	932	36.4	924	18.2	462	114	52
SH-E34	34	850	34.0	864	38.7	983	38.4	975	19.2	488	120	54
SH-E36	36	900	36.0	914	40.8	1035	40.4	1026	20.2	514	125	57
SH-426	—	—	16.8	426	22.9	581	22.4	568	11.2	284	77	35
SH-450	—	—	17.7	450	22.9	581	22.4	568	11.2	284	77	35
SH-477	—	—	18.8	477	24.8	631	24.4	619	12.2	310	82	37
SH-500	—	—	19.7	500	24.8	631	24.4	619	12.2	310	82	37
SH-594	—	—	23.4	594	28.8	731	28.4	721	14.2	361	93	42

1. Dimensions and weights are for reference only. These may change without notice. Contact CIDRA for latest information.

2. All sensor head assemblies, independent of pipe size, are compatible with all transmitters.