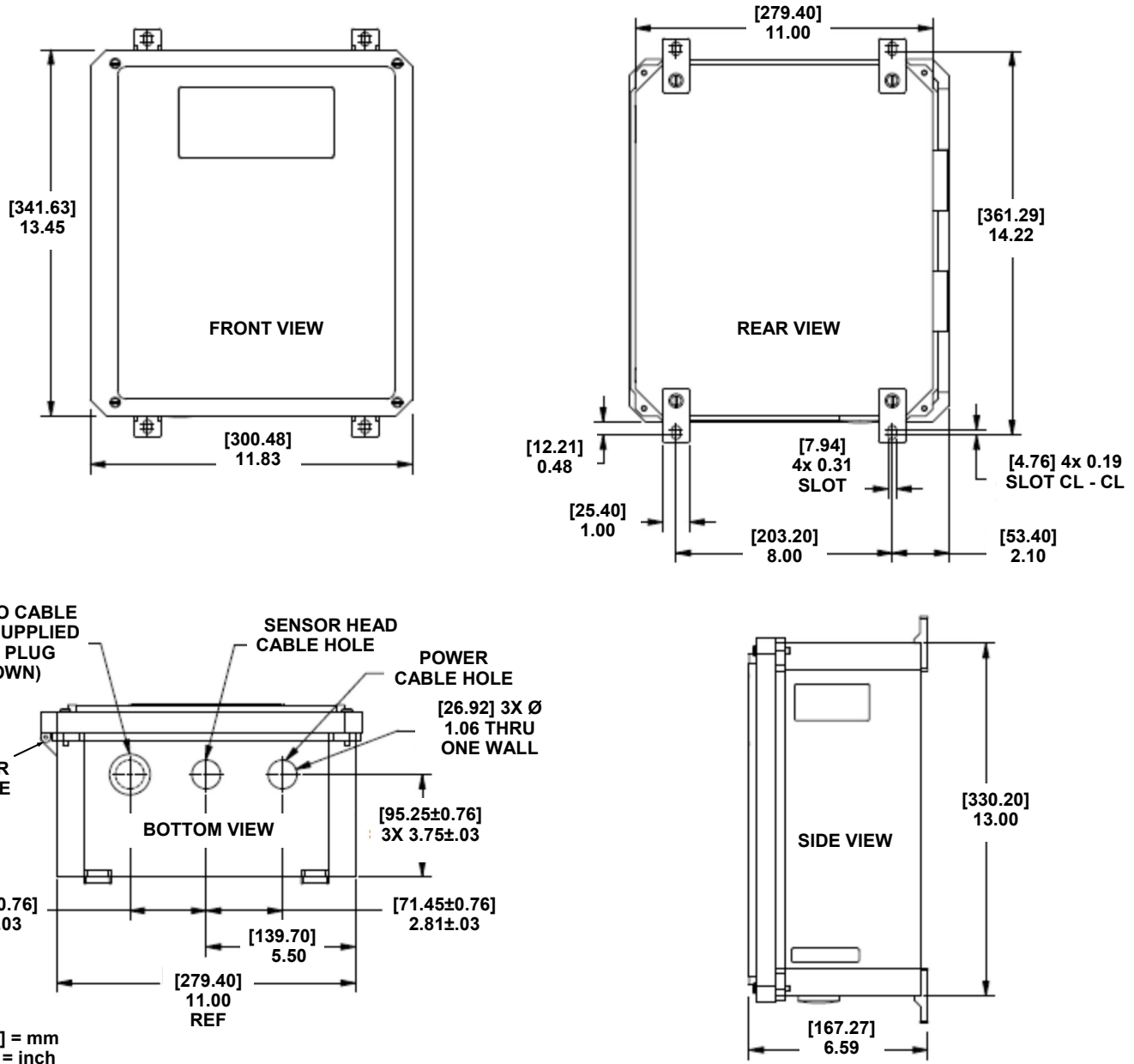


SONARtrac[®] - Transmitter Envelope

The dimensions of the Model VF-100, GVF-100, VF-100/GVF-100, HD VF-100, and HD VF/GVF-100 transmitters are given on the following figures.



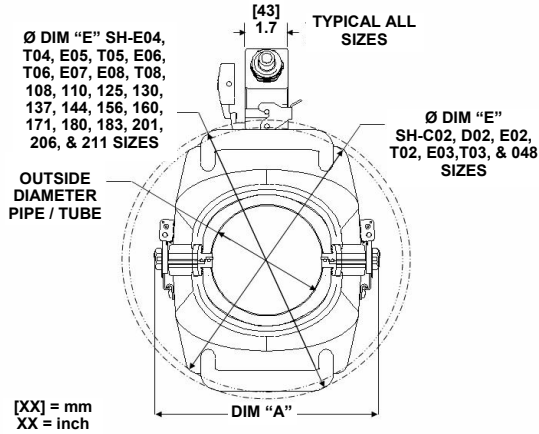
Transmitters are compatible with all sensor head assemblies independent of pipe size.

Weight: 12 lbs (5.4 kg)

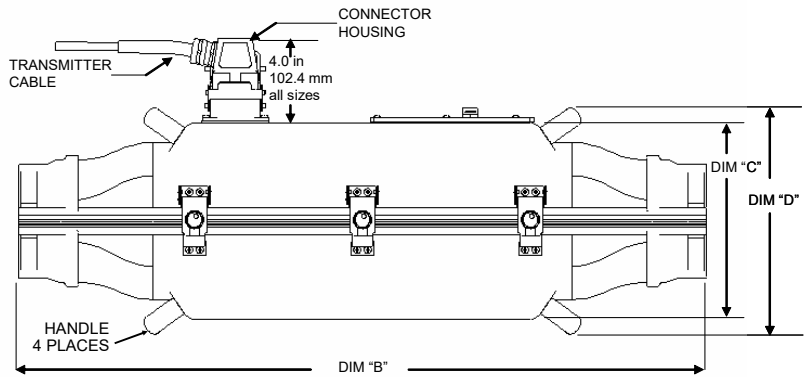
Electrical Power Requirements:

AC Version 100 to 240 Volts AC, 50/60 Hz, 25 watts

DC Version 18 to 36 Volts DC, 25 watts



End View Typical of 2" Through 8" & Metric Equivalent Sensor Heads

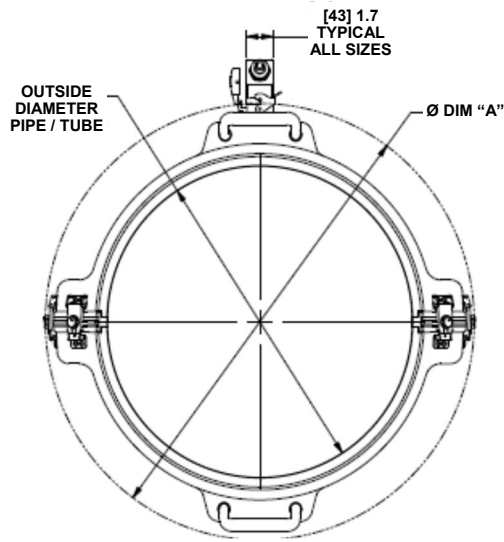


Side View Typical of 2" Through 8" & Metric Equivalent Sensor Heads
Handles Not Available on 2" and 3" Covers

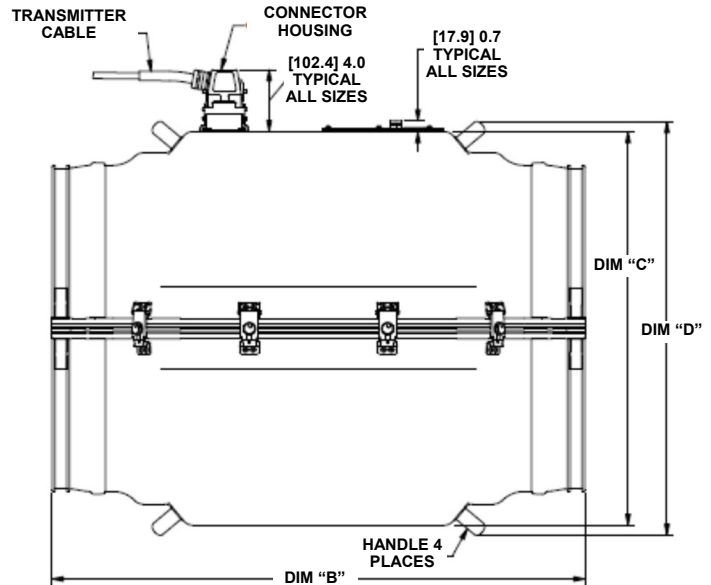
Fiberglass Sensor Head Cover Envelope 2" to 8" (46mm - 214mm) Pipe Size (Gen 2)

| Model No | Pipe / Tube Nominal Size | | Pipe / Tube Outside Diameter | | Dim 'A' | | Dim 'B' | | Dim 'C' | | Dim 'D' | | Dim 'E' | | Weight (approx.) | |
|----------|--------------------------|-----------|------------------------------|-----|---------|-----|---------|-----|---------|-----|---------|-----|---------|-----|------------------|-------|
| | Inch/mm | Pipe/Tube | inch | mm | inch | mm | inch | mm | inch | mm | inch | mm | inch | mm | lb | kg |
| SH-E02 | 2/50 | Pipe | 2.38 | 60 | 7.4 | 188 | 32.8 | 832 | 7.1 | 180 | N/A | N/A | 8.7 | 221 | 16.5 | 7.48 |
| SH-T02 | 2/50 | Tube | 2.00 | 51 | 7.4 | 188 | 32.8 | 832 | 7.1 | 180 | N/A | N/A | 8.7 | 221 | 16.5 | 7.48 |
| SH-C02 | 2.5/64 | Pipe | 2.88 | 73 | 7.4 | 188 | 32.8 | 832 | 8.2 | 208 | N/A | N/A | 9.6 | 244 | 17 | 7.71 |
| SH-D02 | 2.5/64 | Tube | 2.50 | 64 | 7.4 | 188 | 32.8 | 832 | 8.2 | 208 | N/A | N/A | 9.6 | 244 | 17 | 7.71 |
| SH-E03 | 3/75 | Pipe | 3.50 | 89 | 7.4 | 188 | 32.8 | 832 | 8.2 | 208 | N/A | N/A | 9.6 | 244 | 17 | 7.71 |
| SH-T03 | 3/76 | Tube | 3.00 | 76 | 7.4 | 188 | 32.8 | 832 | 8.2 | 208 | N/A | N/A | 9.6 | 244 | 17 | 7.71 |
| SH-E04 | 4/100 | Pipe | 4.50 | 114 | 8.9 | 226 | 32.8 | 832 | 9.3 | 237 | 10.8 | 273 | 11.5 | 292 | 21 | 9.53 |
| SH-T04 | 4/102 | Tube | 4.00 | 102 | 8.9 | 226 | 32.8 | 832 | 9.3 | 237 | 10.8 | 273 | 11.5 | 292 | 21 | 9.53 |
| SH-E05 | 5/125 | Pipe | 5.56 | 141 | 11.9 | 302 | 33.9 | 860 | 12.1 | 308 | 13.5 | 344 | 14.1 | 358 | 26.5 | 12.02 |
| SH-T05 | 5/127 | Tube | 5.00 | 127 | 11.9 | 302 | 33.9 | 860 | 12.1 | 308 | 13.5 | 344 | 14.1 | 358 | 26.5 | 12.02 |
| SH-E06 | 6/150 | Pipe | 6.63 | 168 | 11.9 | 302 | 33.9 | 860 | 12.1 | 308 | 13.5 | 344 | 14.1 | 358 | 26.5 | 12.02 |
| SH-T06 | 6/152 | Tube | 6.00 | 152 | 11.9 | 302 | 33.9 | 860 | 12.1 | 308 | 13.5 | 344 | 14.1 | 358 | 26.5 | 12.02 |
| SH-E07 | 7/— | Pipe | 7.63 | 194 | 15.6 | 396 | 33.9 | 860 | 14.2 | 361 | 15.6 | 397 | 16.1 | 409 | 31 | 14.06 |
| SH-E08 | 8/200 | Pipe | 8.63 | 219 | 15.6 | 396 | 33.9 | 860 | 14.2 | 361 | 15.6 | 397 | 16.1 | 409 | 31 | 14.06 |
| SH-T08 | 8/203 | Tube | 8.00 | 203 | 15.6 | 396 | 33.9 | 860 | 14.2 | 361 | 15.6 | 397 | 16.1 | 409 | 31 | 14.06 |
| SH-048 | — | — | 1.89 | 48 | 7.4 | 188 | 32.8 | 832 | 7.1 | 180 | N/A | N/A | 8.7 | 221 | 16.5 | 7.48 |
| SH-108 | — | — | 4.25 | 108 | 8.9 | 226 | 32.8 | 832 | 9.3 | 237 | 10.8 | 273 | 11.5 | 292 | 21 | 9.53 |
| SH-110 | — | — | 4.33 | 110 | 8.9 | 226 | 32.8 | 832 | 9.3 | 237 | 10.8 | 273 | 11.5 | 292 | 21 | 9.53 |
| SH-122 | — | — | 4.80 | 122 | 11.9 | 302 | 33.9 | 860 | 12.1 | 308 | 13.5 | 344 | 14.1 | 358 | 26.5 | 12.02 |
| SH-125 | — | — | 4.92 | 125 | 11.9 | 302 | 33.9 | 860 | 12.1 | 308 | 13.5 | 344 | 14.1 | 358 | 26.5 | 12.02 |
| SH-130 | — | — | 5.12 | 130 | 11.9 | 302 | 33.9 | 860 | 12.1 | 308 | 13.5 | 344 | 14.1 | 358 | 26.5 | 12.02 |
| SH-137 | — | — | 5.39 | 137 | 11.9 | 302 | 33.9 | 860 | 12.1 | 308 | 13.5 | 344 | 14.1 | 358 | 26.5 | 12.02 |
| SH-144 | — | — | 5.67 | 144 | 11.9 | 302 | 33.9 | 860 | 12.1 | 308 | 13.5 | 344 | 14.1 | 358 | 26.5 | 12.02 |
| SH-156 | — | — | 6.14 | 156 | 11.9 | 302 | 33.9 | 860 | 12.1 | 308 | 13.5 | 344 | 14.1 | 358 | 26.5 | 12.02 |
| SH-160 | — | — | 6.30 | 160 | 11.9 | 302 | 33.9 | 860 | 12.1 | 308 | 13.5 | 344 | 14.1 | 358 | 26.5 | 12.02 |
| SH-171 | — | — | 6.73 | 171 | 15.6 | 396 | 33.9 | 860 | 14.2 | 361 | 15.6 | 397 | 16.1 | 409 | 31 | 14.06 |
| SH-175 | — | — | 6.89 | 175 | 15.6 | 396 | 33.9 | 860 | 14.2 | 361 | 15.6 | 397 | 16.1 | 409 | 31 | 14.06 |
| SH-180 | — | — | 7.09 | 180 | 15.6 | 396 | 33.9 | 860 | 14.2 | 361 | 15.6 | 397 | 16.1 | 409 | 31 | 14.06 |
| SH-183 | — | — | 7.21 | 183 | 15.6 | 396 | 33.9 | 860 | 14.2 | 361 | 15.6 | 397 | 16.1 | 409 | 31 | 14.06 |
| SH-201 | — | — | 7.91 | 201 | 15.6 | 396 | 33.9 | 860 | 14.2 | 361 | 15.6 | 397 | 16.1 | 409 | 31 | 14.06 |
| SH-206 | — | — | 8.11 | 206 | 15.6 | 396 | 33.9 | 860 | 14.2 | 361 | 15.6 | 397 | 16.1 | 409 | 31 | 14.06 |
| SH-211 | — | — | 8.31 | 211 | 15.6 | 396 | 33.9 | 860 | 14.2 | 361 | 15.6 | 397 | 16.1 | 409 | 31 | 14.06 |

1. Dimensions and weights are for reference only. These may change without notice. Contact CIDRA for latest information.
2. All sensor head assemblies, independent of pipe size, are compatible with all transmitters.



End View Typical of 10" Through 16" & Metric Equivalent Sensor Heads



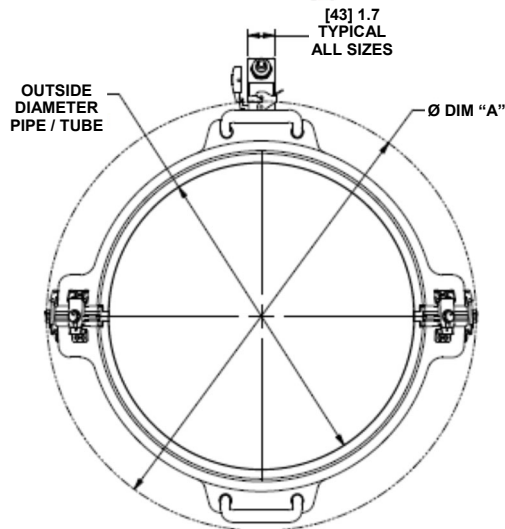
Side View Typical of 10" Through 16" & Metric Equivalent Sensor Heads

Fiberglass Sensor Head Cover Envelope 10" to 16" (222mm - 404mm) Pipe Size (Gen 2)

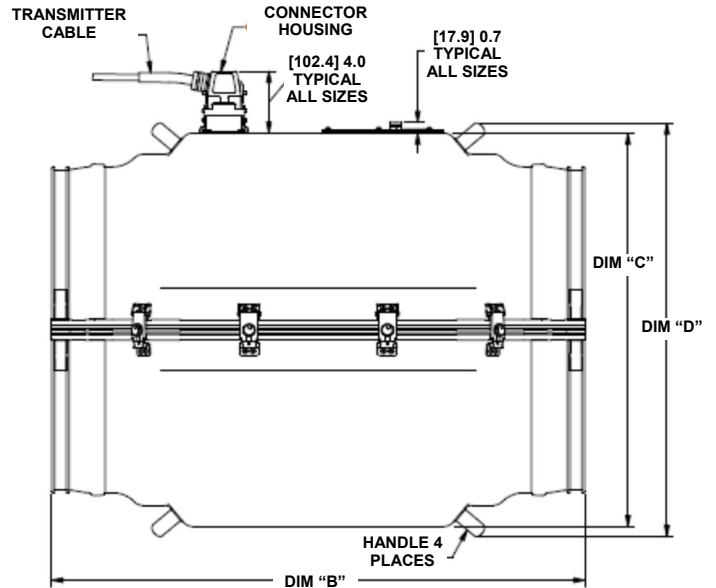
| Model No | Pipe / Tube Nominal Size | | Pipe Outside Diameter | | Dim 'A' | | Dim 'B' | | Dim 'C' | | Dim 'D' | | Weight | |
|----------|--------------------------|-----|-----------------------|-----|---------|-----|---------|-----|---------|-----|---------|-----|--------|-------|
| | inch | mm | inch | mm | inch | mm | inch | mm | inch | mm | inch | mm | lbs | kg |
| SH-E10 | 10 Pipe | 250 | 10.75 | 273 | 18.1 | 459 | 34.7 | 881 | 16.3 | 415 | 17.7 | 451 | 35.5 | 16.10 |
| SH-T10 | 10 Tube | 254 | 10.00 | 254 | 18.1 | 459 | 34.7 | 881 | 16.3 | 415 | 17.7 | 451 | 35.5 | 16.10 |
| SH-E12 | 12 Pipe | 300 | 12.75 | 324 | 20.3 | 516 | 34.7 | 881 | 18.3 | 466 | 19.7 | 500 | 39 | 17.69 |
| SH-T12 | 12 Tube | 305 | 12.00 | 305 | 20.3 | 516 | 34.7 | 881 | 18.3 | 466 | 19.7 | 500 | 39 | 17.69 |
| SH-E14 | 14 | 350 | 14.00 | 356 | 21.7 | 550 | 34.7 | 881 | 19.6 | 497 | 21.0 | 533 | 41.5 | 18.82 |
| SH-E16 | 16 | 400 | 16.00 | 406 | 24.0 | 605 | 34.7 | 881 | 21.6 | 548 | 23.3 | 584 | 46 | 20.87 |
| SH-225 | — | — | 8.86 | 225 | 18.1 | 459 | 34.7 | 881 | 16.3 | 415 | 17.7 | 451 | 35.5 | 16.10 |
| SH-228 | — | — | 8.98 | 228 | 18.1 | 459 | 34.7 | 881 | 16.3 | 415 | 17.7 | 451 | 35.5 | 16.10 |
| SH-232 | — | — | 9.13 | 232 | 18.1 | 459 | 34.7 | 881 | 16.3 | 415 | 17.7 | 451 | 35.5 | 16.10 |
| SH-235 | — | — | 9.25 | 235 | 18.1 | 459 | 34.7 | 881 | 16.3 | 415 | 17.7 | 451 | 35.5 | 16.10 |
| SH-243 | — | — | 9.57 | 243 | 18.1 | 459 | 34.7 | 881 | 16.3 | 415 | 17.7 | 451 | 35.5 | 16.10 |
| SH-246 | — | — | 9.69 | 246 | 18.1 | 459 | 34.7 | 881 | 16.3 | 415 | 17.7 | 451 | 35.5 | 16.10 |
| SH-250 | — | — | 9.84 | 250 | 18.1 | 459 | 34.7 | 881 | 16.3 | 415 | 17.7 | 451 | 35.5 | 16.10 |
| SH-276 | — | — | 10.87 | 276 | 20.3 | 516 | 34.7 | 881 | 18.3 | 466 | 19.7 | 500 | 39 | 17.69 |
| SH-280 | — | — | 11.02 | 280 | 20.3 | 516 | 34.7 | 881 | 18.3 | 466 | 19.7 | 500 | 39 | 17.69 |
| SH-283 | — | — | 11.14 | 283 | 20.3 | 516 | 34.7 | 881 | 18.3 | 466 | 19.7 | 500 | 39 | 17.69 |
| SH-287 | — | — | 11.30 | 287 | 20.3 | 516 | 34.7 | 881 | 18.3 | 466 | 19.7 | 500 | 39 | 17.69 |
| SH-297 | — | — | 11.69 | 297 | 20.3 | 516 | 34.7 | 881 | 18.3 | 466 | 19.7 | 500 | 39 | 17.69 |
| SH-308 | — | — | 12.13 | 308 | 20.3 | 516 | 34.7 | 881 | 18.3 | 466 | 19.7 | 500 | 39 | 17.69 |
| SH-312 | — | — | 12.28 | 312 | 20.3 | 516 | 34.7 | 881 | 18.3 | 466 | 19.7 | 500 | 39 | 17.69 |
| SH-315 | — | — | 12.40 | 315 | 20.3 | 516 | 34.7 | 881 | 18.3 | 466 | 19.7 | 500 | 39 | 17.69 |
| SH-318 | — | — | 12.52 | 318 | 20.3 | 516 | 34.7 | 881 | 18.3 | 466 | 19.7 | 500 | 39 | 17.69 |
| SH-327 | — | — | 12.87 | 327 | 21.7 | 550 | 34.7 | 881 | 19.6 | 497 | 21.0 | 533 | 41.5 | 18.82 |
| SH-331 | — | — | 13.03 | 331 | 21.7 | 550 | 34.7 | 881 | 19.6 | 497 | 21.0 | 533 | 41.5 | 18.82 |
| SH-335 | — | — | 13.19 | 335 | 21.7 | 550 | 34.7 | 881 | 19.6 | 497 | 21.0 | 533 | 41.5 | 18.82 |
| SH-339 | — | — | 13.35 | 339 | 21.7 | 550 | 34.7 | 881 | 19.6 | 497 | 21.0 | 533 | 41.5 | 18.82 |
| SH-350 | — | — | 13.78 | 350 | 21.7 | 550 | 34.7 | 881 | 19.6 | 497 | 21.0 | 533 | 41.5 | 18.82 |
| SH-353 | — | — | 13.90 | 353 | 21.7 | 550 | 34.7 | 881 | 19.6 | 497 | 21.0 | 533 | 41.5 | 18.82 |
| SH-359 | — | — | 14.13 | 359 | 24.0 | 605 | 34.7 | 881 | 21.6 | 548 | 23.0 | 584 | 46 | 20.87 |
| SH-363 | — | — | 14.29 | 363 | 24.0 | 605 | 34.7 | 881 | 21.6 | 548 | 23.0 | 584 | 46 | 20.87 |
| SH-367 | — | — | 14.45 | 367 | 24.0 | 605 | 34.7 | 881 | 21.6 | 548 | 23.0 | 584 | 46 | 20.87 |
| SH-377 | — | — | 14.84 | 377 | 24.0 | 605 | 34.7 | 881 | 21.6 | 548 | 23.0 | 584 | 46 | 20.87 |
| SH-388 | — | — | 15.28 | 388 | 24.0 | 605 | 34.7 | 881 | 21.6 | 548 | 23.0 | 584 | 46 | 20.87 |
| SH-400 | — | — | 15.75 | 400 | 24.0 | 605 | 34.7 | 881 | 21.6 | 548 | 23.0 | 584 | 46 | 20.87 |

1. Dimensions and weights are for reference only. These may change without notice. Contact CiDRA for latest information.

2. All sensor head assemblies, independent of pipe size, are compatible with all transmitters.



End View Typical of 17" Through 30" Sensor Heads



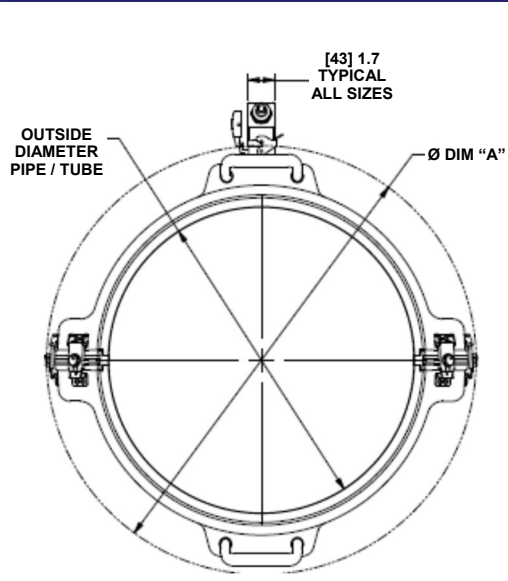
Side View Typical of 17" Through 30" Sensor Heads

Fiberglass Sensor Head Cover Envelope 17" to 30" Pipe Size (Gen 2)

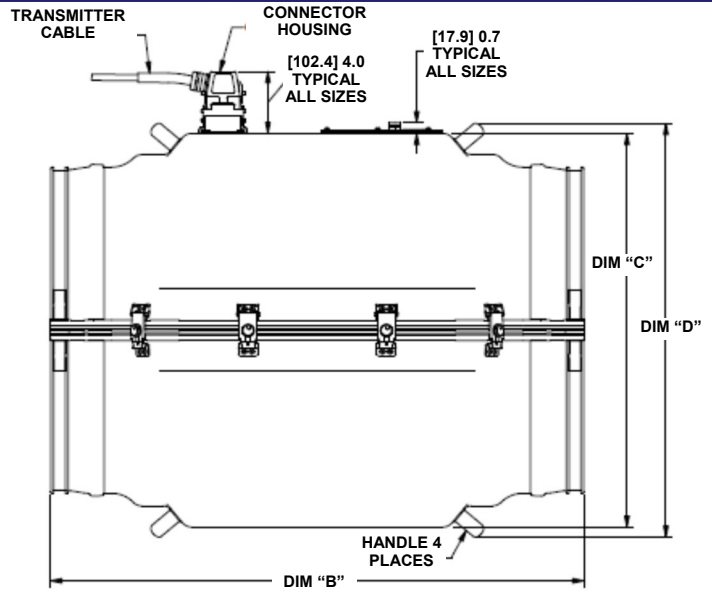
| Model No | Pipe / Tube Nominal Size | | Pipe Outside Diameter | | Dim 'A' | | Dim 'B' | | Dim 'C' | | Dim 'D' | | Weight | |
|----------|--------------------------|-----|-----------------------|-----|---------|-----|---------|-----|---------|-----|---------|-----|--------|-------|
| | inch | mm | inch | mm | inch | mm | inch | mm | inch | mm | inch | mm | lbs | kg |
| SH-E17 | 17 | 425 | 17.0 | 432 | 26.0 | 659 | 34.7 | 881 | 23.6 | 599 | 25.6 | 650 | 50.5 | 22.91 |
| SH-E18 | 18 | 450 | 18.0 | 457 | 26.0 | 659 | 34.7 | 881 | 23.6 | 599 | 25.6 | 650 | 50.5 | 22.91 |
| SH-E20 | 20 | 500 | 20.0 | 508 | 28.0 | 712 | 34.7 | 881 | 25.6 | 651 | 27.6 | 702 | 54.5 | 24.72 |
| SH-E22 | 22 | 550 | 22.0 | 559 | 30.1 | 765 | 34.7 | 881 | 27.6 | 701 | 29.6 | 751 | 69 | 31.30 |
| SH-E24 | 24 | 600 | 24.0 | 610 | 32.2 | 818 | 34.7 | 881 | 29.6 | 751 | 31.6 | 802 | 74 | 33.57 |
| SH-E25 | 25 | 625 | 25.0 | 635 | 34.3 | 870 | 34.7 | 881 | 31.6 | 802 | 33.6 | 853 | 79 | 35.83 |
| SH-E26 | 26 | 650 | 26.0 | 660 | 34.3 | 870 | 34.7 | 881 | 31.6 | 802 | 33.6 | 853 | 79 | 35.83 |
| SH-E27 | 27 | 675 | 27.0 | 686 | 36.3 | 922 | 34.7 | 881 | 33.6 | 853 | 35.6 | 904 | 84 | 38.10 |
| SH-E28 | 28 | 700 | 28.0 | 711 | 36.3 | 922 | 34.7 | 881 | 33.6 | 853 | 35.6 | 904 | 84 | 38.10 |
| SH-E30 | 30 | 750 | 30.0 | 762 | 38.4 | 974 | 34.7 | 881 | 35.6 | 904 | 37.6 | 955 | 89.5 | 40.60 |

1. Dimensions and weights are for reference only. These may change without notice. Contact CIDRA for latest information.

2. All sensor head assemblies, independent of pipe size, are compatible with all transmitters.



[XX] = mm
XX = inch



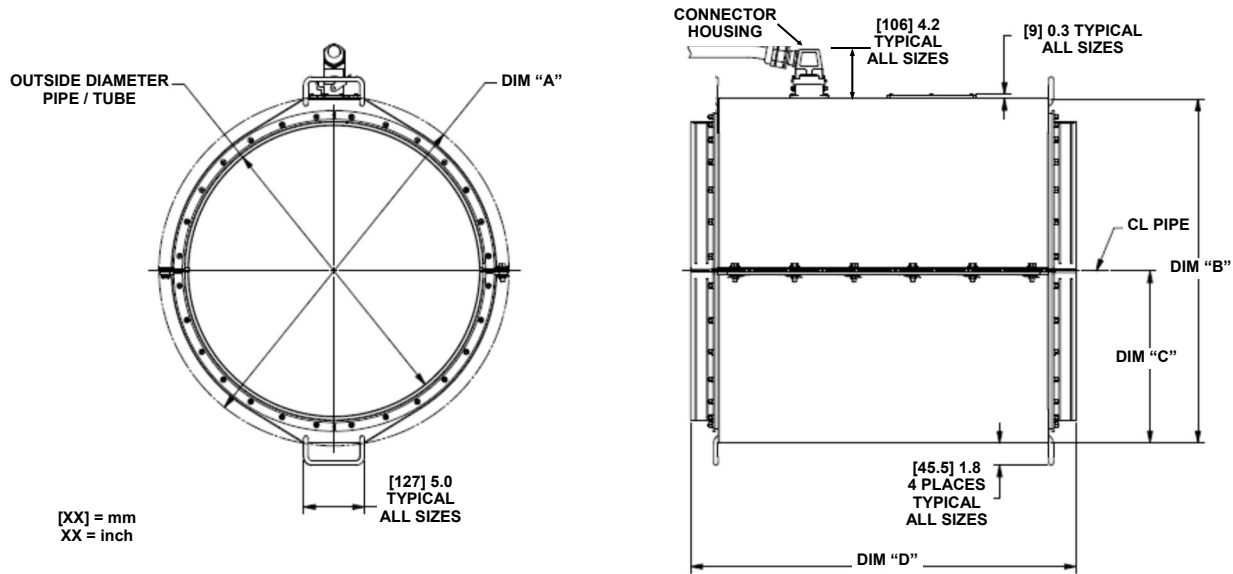
End View Typical of 410mm Through 758mm Sensor Heads

Side View Typical of 410mm Through 758mm Sensor Heads

Fiberglass Sensor Head Cover Envelope 410mm - 758mm Pipe Size (Gen 2)

| Model No | Pipe / Tube Nominal Size | | Pipe Outside Diameter | | Dim 'A' | | Dim 'B' | | Dim 'C' | | Dim 'D' | | Weight | |
|----------|--------------------------|----|-----------------------|-----|---------|-----|---------|-----|---------|-----|---------|-----|--------|-------|
| | inch | mm | inch | mm | inch | mm | inch | mm | inch | mm | inch | mm | lbs | kg |
| SH-414 | — | — | 16.3 | 414 | 26.0 | 659 | 34.7 | 881 | 23.6 | 599 | 25.6 | 650 | 50.5 | 22.91 |
| SH-418 | — | — | 16.5 | 418 | 26.0 | 659 | 34.7 | 881 | 23.6 | 599 | 25.6 | 650 | 50.5 | 22.91 |
| SH-426 | — | — | 16.8 | 426 | 26.0 | 659 | 34.7 | 881 | 23.6 | 599 | 25.6 | 650 | 50.5 | 22.91 |
| SH-429 | — | — | 16.9 | 429 | 26.0 | 659 | 34.7 | 881 | 23.6 | 599 | 25.6 | 650 | 50.5 | 22.91 |
| SH-435 | — | — | 17.1 | 435 | 26.0 | 659 | 34.7 | 881 | 23.6 | 599 | 25.6 | 650 | 50.5 | 22.91 |
| SH-450 | — | — | 17.7 | 450 | 26.0 | 659 | 34.7 | 881 | 23.6 | 599 | 25.6 | 650 | 50.5 | 22.91 |
| SH-462 | — | — | 18.2 | 462 | 28.0 | 712 | 34.7 | 881 | 25.6 | 651 | 27.6 | 702 | 54.5 | 24.72 |
| SH-466 | — | — | 18.3 | 466 | 28.0 | 712 | 34.7 | 881 | 25.6 | 651 | 27.6 | 702 | 54.5 | 24.72 |
| SH-477 | — | — | 18.8 | 477 | 28.0 | 712 | 34.7 | 881 | 25.6 | 651 | 27.6 | 702 | 54.5 | 24.72 |
| SH-481 | — | — | 18.9 | 481 | 28.0 | 712 | 34.7 | 881 | 25.6 | 651 | 27.6 | 702 | 54.5 | 24.72 |
| SH-486 | — | — | 19.1 | 486 | 28.0 | 712 | 34.7 | 881 | 25.6 | 651 | 27.6 | 702 | 54.5 | 24.72 |
| SH-500 | — | — | 19.7 | 500 | 28.0 | 712 | 34.7 | 881 | 25.6 | 651 | 27.6 | 702 | 54.5 | 24.72 |
| SH-512 | — | — | 20.2 | 512 | 30.1 | 765 | 34.7 | 881 | 27.6 | 701 | 29.6 | 751 | 69 | 31.30 |
| SH-517 | — | — | 20.4 | 517 | 30.1 | 765 | 34.7 | 881 | 27.6 | 701 | 29.6 | 751 | 69 | 31.30 |
| SH-529 | — | — | 20.8 | 529 | 30.1 | 765 | 34.7 | 881 | 27.6 | 701 | 29.6 | 751 | 69 | 31.30 |
| SH-550 | — | — | 21.7 | 550 | 30.1 | 765 | 34.7 | 881 | 27.6 | 701 | 29.6 | 751 | 69 | 31.30 |
| SH-563 | — | — | 22.2 | 563 | 32.2 | 818 | 34.7 | 881 | 29.6 | 751 | 31.6 | 802 | 74 | 33.57 |
| SH-594 | — | — | 23.4 | 594 | 32.2 | 818 | 34.7 | 881 | 29.6 | 751 | 31.6 | 802 | 74 | 33.57 |
| SH-618 | — | — | 24.3 | 618 | 34.3 | 870 | 34.7 | 881 | 31.6 | 802 | 33.6 | 853 | 79 | 35.83 |
| SH-626 | — | — | 24.6 | 626 | 34.3 | 870 | 34.7 | 881 | 31.6 | 802 | 33.6 | 853 | 79 | 35.83 |
| SH-631 | — | — | 24.8 | 631 | 34.3 | 870 | 34.7 | 881 | 31.6 | 802 | 33.6 | 853 | 79 | 35.83 |
| SH-652 | — | — | 25.7 | 652 | 34.3 | 870 | 34.7 | 881 | 31.6 | 802 | 33.6 | 853 | 79 | 35.83 |
| SH-674 | — | — | 26.5 | 674 | 36.3 | 922 | 34.7 | 881 | 33.6 | 853 | 35.6 | 904 | 84 | 38.10 |
| SH-682 | — | — | 26.9 | 682 | 36.3 | 922 | 34.7 | 881 | 33.6 | 853 | 35.6 | 904 | 84 | 38.10 |
| SH-690 | — | — | 27.2 | 690 | 36.3 | 922 | 34.7 | 881 | 33.6 | 853 | 35.6 | 904 | 84 | 38.10 |
| SH-716 | — | — | 28.2 | 716 | 38.4 | 974 | 34.7 | 881 | 35.6 | 904 | 37.6 | 955 | 89.5 | 40.60 |
| SH-720 | — | — | 28.4 | 720 | 38.4 | 974 | 34.7 | 881 | 35.6 | 904 | 37.6 | 955 | 89.5 | 40.60 |
| SH-728 | — | — | 28.7 | 728 | 38.4 | 974 | 34.7 | 881 | 35.6 | 904 | 37.6 | 955 | 89.5 | 40.60 |
| SH-745 | — | — | 29.3 | 745 | 38.4 | 974 | 34.7 | 881 | 35.6 | 904 | 37.6 | 955 | 89.5 | 40.60 |

1. Dimensions and weights are for reference only. These may change without notice. Contact CIDRA for latest information.
2. All sensor head assemblies, independent of pipe size, are compatible with all transmitters.

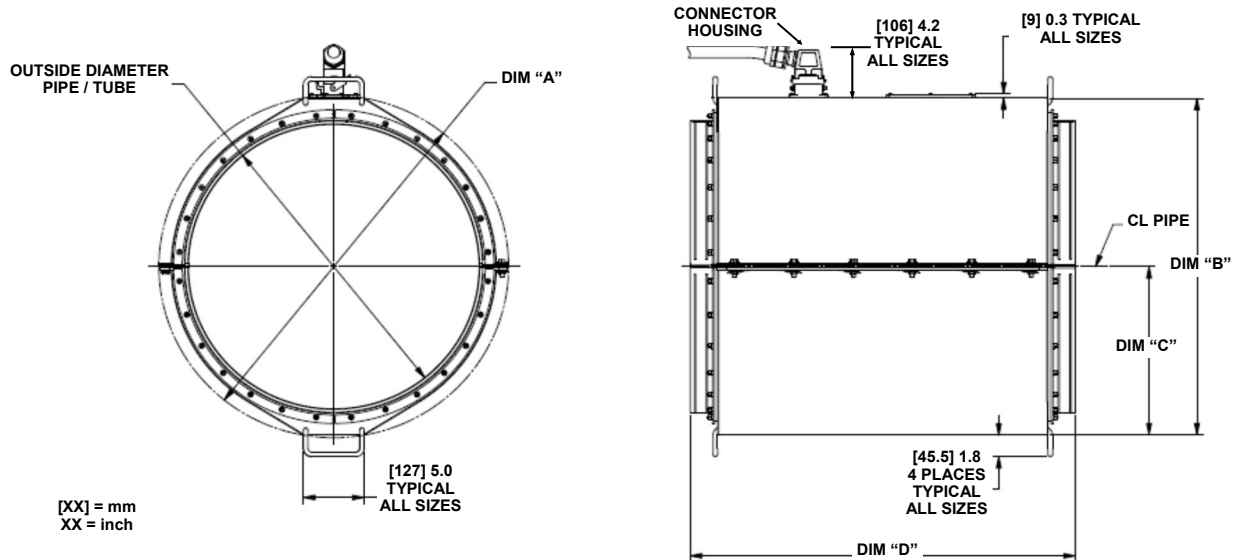


Stainless Steel Sensor Head Cover Envelope 17" to 60" Pipe Size with Harting Connector

| Model No | Pipe / Tube Nominal Size | | Outside Dia | | Dim 'A' | | Dim 'B' | | Dim 'C' | | Dim 'D' | | Weight (approx.) | |
|----------|--------------------------|------|-------------|------|---------|------|---------|------|---------|-----|---------|------|------------------|-----|
| | inch | mm | inch | mm | inch | mm | inch | mm | inch | mm | inch | mm | lbs | kg |
| SH-E17 | 17 | 425 | 17.0 | 432 | 21.9 | 556 | 21.4 | 543 | 10.7 | 272 | 31.7 | 805 | 75 | 34 |
| SH-E18 | 18 | 450 | 18.0 | 457 | 22.9 | 581 | 22.4 | 568 | 11.2 | 284 | 31.7 | 805 | 77 | 35 |
| SH-E20 | 20 | 500 | 20.0 | 508 | 24.8 | 631 | 24.4 | 619 | 12.2 | 310 | 31.7 | 805 | 82 | 37 |
| SH-E22 | 22 | 550 | 22.0 | 559 | 26.8 | 681 | 26.4 | 671 | 13.2 | 335 | 31.7 | 805 | 87 | 39 |
| SH-E24 | 24 | 600 | 24.0 | 610 | 28.8 | 731 | 28.4 | 721 | 14.2 | 361 | 31.7 | 805 | 93 | 42 |
| SH-E25 | 25 | 625 | 25.0 | 635 | 29.8 | 756 | 29.4 | 746 | 14.7 | 373 | 31.7 | 805 | 95 | 43 |
| SH-E26 | 26 | 650 | 26.0 | 660 | 30.8 | 781 | 30.4 | 772 | 15.2 | 386 | 31.7 | 805 | 98 | 44 |
| SH-E27 | 27 | 675 | 27.0 | 686 | 31.7 | 806 | 31.4 | 797 | 15.7 | 399 | 31.7 | 805 | 101 | 46 |
| SH-E28 | 28 | 700 | 28.0 | 711 | 32.7 | 831 | 32.4 | 822 | 16.2 | 411 | 31.7 | 805 | 104 | 47 |
| SH-E30 | 30 | 750 | 30.0 | 762 | 34.7 | 881 | 34.4 | 873 | 17.2 | 437 | 31.7 | 805 | 109 | 49 |
| SH-E32 | 32 | 800 | 32.0 | 813 | 36.7 | 932 | 36.4 | 924 | 18.2 | 462 | 31.7 | 805 | 114 | 52 |
| SH-E34 | 34 | 850 | 34.0 | 864 | 38.7 | 983 | 38.4 | 975 | 19.2 | 488 | 31.7 | 805 | 120 | 54 |
| SH-E36 | 36 | 900 | 36.0 | 914 | 40.8 | 1035 | 40.4 | 1026 | 20.2 | 514 | 31.7 | 805 | 125 | 57 |
| SH-E38 | 38 | 950 | 38.0 | 965 | 42.7 | 1085 | 42.5 | 1080 | 21.2 | 538 | 51.2 | 1300 | 246 | 112 |
| SH-E40 | 40 | 1000 | 40.0 | 1016 | 44.7 | 1135 | 44.5 | 1130 | 22.2 | 564 | 51.2 | 1300 | 252 | 114 |
| SH-E42 | 42 | 1050 | 42.0 | 1067 | 46.7 | 1186 | 46.5 | 1181 | 23.2 | 589 | 51.2 | 1300 | 261 | 118 |
| SH-E45 | 45 | 1125 | 45.0 | 1143 | 49.7 | 1262 | 49.5 | 1257 | 24.7 | 627 | 51.2 | 1300 | 275 | 125 |
| SH-E48 | 48 | 1200 | 48.0 | 1219 | 52.7 | 1339 | 52.5 | 1334 | 26.2 | 665 | 51.2 | 1300 | 290 | 132 |
| SH-E54 | 54 | 1350 | 54.0 | 1372 | 58.7 | 1491 | 58.5 | 1486 | 29.2 | 742 | 51.2 | 1300 | 319 | 145 |
| SH-E60 | 60 | 1500 | 60.0 | 1524 | 64.7 | 1643 | 64.5 | 1638 | 32.2 | 818 | 51.2 | 1300 | 348 | 158 |

1. Dimensions and weights are for reference only. These may change without notice. Contact CIDRA for latest information.

2. All sensor head assemblies, independent of pipe size, are compatible with all transmitters.

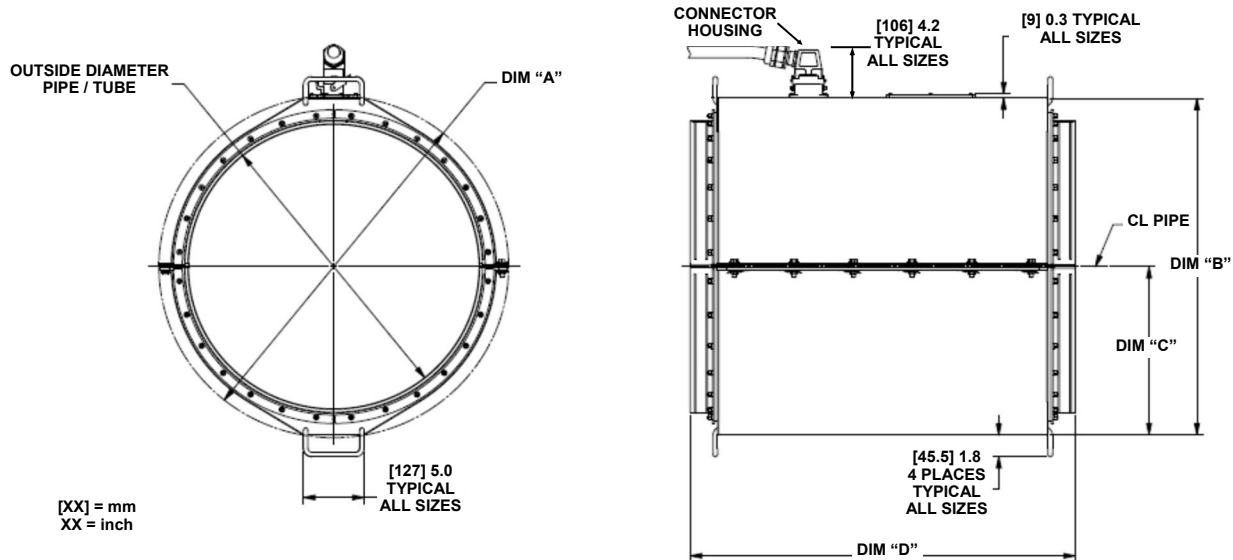


Stainless Steel Sensor Head Cover Envelope 359mm to 699mm Pipe Size with Harting Connector

| Model No | Pipe / Tube Nominal Size | | Outside Dia | | Dim 'A' | | Dim 'B' | | Dim 'C' | | Dim 'D' | | Weight (approx.) | |
|----------|--------------------------|----|-------------|-----|---------|-----|---------|-----|---------|-----|---------|-----|------------------|----|
| | inch | mm | inch | mm | inch | mm | inch | mm | inch | mm | inch | mm | lbs | kg |
| SH-359 | — | — | 14.1 | 359 | 19.1 | 485 | 18.5 | 469 | 9.2 | 235 | 31.7 | 805 | 68 | 31 |
| SH-367 | — | — | 14.4 | 367 | 19.4 | 493 | 18.8 | 478 | 9.4 | 239 | 31.7 | 805 | 69 | 31 |
| SH-426 | — | — | 16.8 | 426 | 21.7 | 550 | 21.1 | 537 | 10.6 | 268 | 31.7 | 805 | 75 | 34 |
| SH-429 | — | — | 16.9 | 429 | 21.8 | 553 | 21.3 | 540 | 10.6 | 270 | 31.7 | 805 | 75 | 34 |
| SH-435 | — | — | 17.1 | 435 | 22.0 | 559 | 21.5 | 546 | 10.7 | 273 | 31.7 | 805 | 76 | 34 |
| SH-450 | — | — | 17.7 | 450 | 22.6 | 574 | 22.1 | 561 | 11.0 | 281 | 31.7 | 805 | 77 | 35 |
| SH-462 | — | — | 18.2 | 462 | 23.0 | 585 | 22.5 | 572 | 11.3 | 286 | 31.7 | 805 | 78 | 35 |
| SH-466 | — | — | 18.3 | 466 | 23.2 | 589 | 22.7 | 577 | 11.4 | 288 | 31.7 | 805 | 78 | 35 |
| SH-477 | — | — | 18.8 | 477 | 23.6 | 601 | 23.2 | 588 | 11.6 | 294 | 31.7 | 805 | 79 | 36 |
| SH-481 | — | — | 18.9 | 481 | 23.8 | 605 | 23.3 | 592 | 11.7 | 296 | 31.7 | 805 | 79 | 36 |
| SH-486 | — | — | 19.1 | 486 | 24.0 | 609 | 23.5 | 596 | 11.7 | 298 | 31.7 | 805 | 80 | 36 |
| SH-500 | — | — | 19.7 | 500 | 24.5 | 623 | 24.1 | 611 | 12.0 | 305 | 31.7 | 805 | 81 | 37 |
| SH-512 | — | — | 20.2 | 512 | 25.0 | 635 | 24.5 | 623 | 12.3 | 312 | 31.7 | 805 | 82 | 37 |
| SH-517 | — | — | 20.4 | 517 | 25.2 | 639 | 24.7 | 627 | 12.4 | 314 | 31.7 | 805 | 83 | 38 |
| SH-529 | — | — | 20.8 | 529 | 25.7 | 652 | 25.2 | 640 | 12.6 | 320 | 31.7 | 805 | 84 | 38 |
| SH-550 | — | — | 21.7 | 550 | 26.5 | 672 | 26.0 | 661 | 13.0 | 330 | 31.7 | 805 | 87 | 39 |
| SH-563 | — | — | 22.2 | 563 | 26.9 | 683 | 26.5 | 674 | 13.3 | 337 | 31.7 | 805 | 88 | 40 |
| SH-594 | — | — | 23.4 | 594 | 28.2 | 715 | 27.8 | 705 | 13.9 | 352 | 31.7 | 805 | 91 | 41 |
| SH-618 | — | — | 24.3 | 618 | 29.1 | 739 | 28.7 | 729 | 14.4 | 365 | 31.7 | 805 | 94 | 43 |
| SH-626 | — | — | 24.6 | 626 | 29.4 | 747 | 29.0 | 737 | 14.5 | 369 | 31.7 | 805 | 95 | 43 |
| SH-631 | — | — | 24.8 | 631 | 29.6 | 752 | 29.2 | 742 | 14.6 | 371 | 31.7 | 805 | 95 | 43 |
| SH-652 | — | — | 25.7 | 652 | 30.4 | 772 | 30.0 | 763 | 15.0 | 381 | 31.7 | 805 | 97 | 44 |
| SH-674 | — | — | 26.5 | 674 | 31.2 | 792 | 30.9 | 784 | 15.4 | 392 | 31.7 | 805 | 100 | 45 |
| SH-682 | — | — | 26.9 | 682 | 31.6 | 802 | 31.2 | 793 | 15.6 | 396 | 31.7 | 805 | 101 | 46 |
| SH-690 | — | — | 27.2 | 690 | 31.9 | 810 | 31.5 | 801 | 15.8 | 400 | 31.7 | 805 | 102 | 46 |

1. Dimensions and weights are for reference only. These may change without notice. Contact CiDRA for latest information.

2. All sensor head assemblies, independent of pipe size, are compatible with all transmitters.

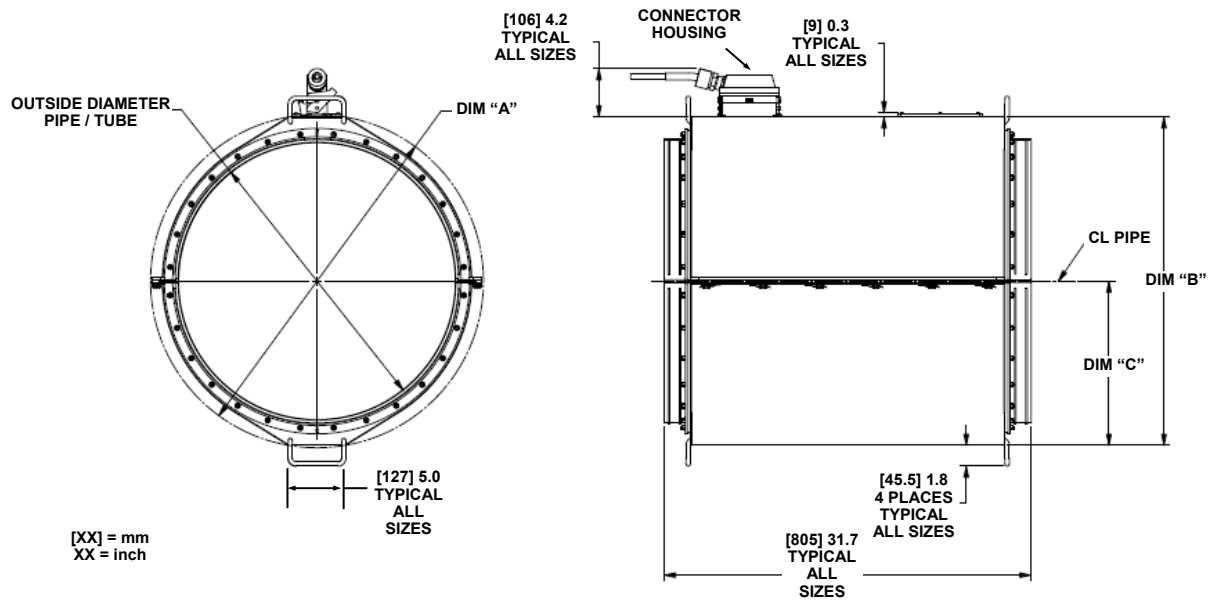


Stainless Steel Sensor Head Cover Envelope 703mm to 1541mm Pipe Size with Harting Connector

| Model No | Pipe / Tube Nominal Size | | Outside Dia | | Dim 'A' | | Dim 'B' | | Dim 'C' | | Dim 'D' | | Weight (approx.) | |
|----------|--------------------------|----|-------------|------|---------|------|---------|------|---------|-----|---------|------|------------------|-----|
| | inch | mm | inch | mm | inch | mm | inch | mm | inch | mm | inch | mm | lbs | kg |
| SH-716 | — | — | 28.2 | 716 | 32.9 | 835 | 32.5 | 826 | 16.3 | 413 | 31.7 | 805 | 105 | 48 |
| SH-720 | — | — | 28.4 | 720 | 33.1 | 839 | 32.7 | 831 | 16.4 | 415 | 31.7 | 805 | 105 | 48 |
| SH-728 | — | — | 28.7 | 728 | 33.4 | 848 | 33.0 | 839 | 16.5 | 419 | 31.7 | 805 | 106 | 48 |
| SH-745 | — | — | 29.3 | 745 | 34.0 | 865 | 33.7 | 856 | 16.9 | 428 | 31.7 | 805 | 107 | 49 |
| SH-766 | — | — | 30.2 | 766 | 34.9 | 885 | 34.5 | 877 | 17.3 | 439 | 31.7 | 805 | 110 | 50 |
| SH-771 | — | — | 30.4 | 771 | 35.0 | 890 | 34.7 | 881 | 17.4 | 441 | 31.7 | 805 | 111 | 50 |
| SH-801 | — | — | 31.5 | 801 | 36.2 | 919 | 35.9 | 912 | 18.0 | 456 | 31.7 | 805 | 113 | 51 |
| SH-822 | — | — | 32.4 | 822 | 37.0 | 940 | 36.7 | 932 | 18.4 | 466 | 31.7 | 805 | 115 | 52 |
| SH-900 | — | — | 35.4 | 900 | 40.0 | 1016 | 39.7 | 1008 | 19.9 | 504 | 31.7 | 805 | 123 | 56 |
| SH-902 | — | — | 35.5 | 902 | 40.2 | 1020 | 39.9 | 1013 | 19.9 | 506 | 31.7 | 805 | 123 | 56 |
| SH-919 | — | — | 36.2 | 919 | 40.8 | 1037 | 40.5 | 1029 | 20.3 | 515 | 31.7 | 805 | 125 | 57 |
| SH-923 | — | — | 36.3 | 923 | 41.1 | 1043 | 40.8 | 1036 | 20.4 | 518 | 31.7 | 805 | 126 | 57 |
| SH-970 | — | — | 38.2 | 970 | 42.9 | 1090 | 42.6 | 1083 | 21.3 | 541 | 51.2 | 1300 | 246 | 112 |
| SH-999 | — | — | 39.3 | 999 | 44.1 | 1119 | 43.8 | 1113 | 21.9 | 556 | 51.2 | 1300 | 249 | 113 |
| SH-H20 | — | — | 40.2 | 1020 | 44.9 | 1140 | 44.6 | 1134 | 22.3 | 567 | 51.2 | 1300 | 252 | 114 |
| SH-H76 | — | — | 42.4 | 1076 | 47.0 | 1195 | 46.8 | 1189 | 23.4 | 594 | 51.2 | 1300 | 262 | 119 |
| SH-J14 | — | — | 43.9 | 1114 | 48.5 | 1233 | 48.3 | 1227 | 24.2 | 613 | 51.2 | 1300 | 270 | 122 |
| SH-K24 | — | — | 48.2 | 1224 | 52.8 | 1342 | 52.6 | 1337 | 26.3 | 668 | 51.2 | 1300 | 292 | 132 |
| SH-K33 | — | — | 48.5 | 1233 | 53.2 | 1351 | 53.0 | 1346 | 26.5 | 673 | 51.2 | 1300 | 296 | 134 |
| SH-M76 | — | — | 54.2 | 1376 | 58.8 | 1494 | 58.6 | 1489 | 29.3 | 745 | 51.2 | 1300 | 322 | 146 |

1. Dimensions and weights are for reference only. These may change without notice. Contact CIDRA for latest information.

2. All sensor head assemblies, independent of pipe size, are compatible with all transmitters.



Stainless Steel Sensor Head Cover Envelope 17" to 36" (426mm to 594mm) Pipe Size with Lapp Connector

| Model No | Pipe / Tube Nominal Size | | Outside Dia | | Dim 'A' | | Dim 'B' | | Dim 'C' | | Weight (approx.) | |
|----------|--------------------------|-----|-------------|-----|---------|------|---------|------|---------|-----|------------------|----|
| | inch | mm | inch | mm | inch | mm | inch | mm | inch | mm | lbs | kg |
| SH-E17 | 17 | 425 | 17.0 | 432 | 22.9 | 581 | 22.4 | 568 | 11.2 | 284 | 77 | 35 |
| SH-E18 | 18 | 450 | 18.0 | 457 | 22.9 | 581 | 22.4 | 568 | 11.2 | 284 | 77 | 35 |
| SH-E20 | 20 | 500 | 20.0 | 508 | 24.8 | 631 | 24.4 | 619 | 12.2 | 310 | 82 | 37 |
| SH-E22 | 22 | 550 | 22.0 | 559 | 26.8 | 681 | 26.4 | 671 | 13.2 | 335 | 87 | 39 |
| SH-E24 | 24 | 600 | 24.0 | 610 | 28.8 | 731 | 28.4 | 721 | 14.2 | 361 | 93 | 42 |
| SH-E26 | 26 | 650 | 26.0 | 660 | 30.8 | 781 | 30.4 | 772 | 15.2 | 386 | 98 | 44 |
| SH-E28 | 28 | 700 | 28.0 | 711 | 32.7 | 831 | 32.4 | 822 | 16.2 | 411 | 104 | 47 |
| SH-E30 | 30 | 750 | 30.0 | 762 | 34.7 | 881 | 34.4 | 873 | 17.2 | 437 | 109 | 49 |
| SH-E32 | 32 | 800 | 32.0 | 813 | 36.7 | 932 | 36.4 | 924 | 18.2 | 462 | 114 | 52 |
| SH-E34 | 34 | 850 | 34.0 | 864 | 38.7 | 983 | 38.4 | 975 | 19.2 | 488 | 120 | 54 |
| SH-E36 | 36 | 900 | 36.0 | 914 | 40.8 | 1035 | 40.4 | 1026 | 20.2 | 514 | 125 | 57 |
| SH-426 | — | — | 16.8 | 426 | 22.9 | 581 | 22.4 | 568 | 11.2 | 284 | 77 | 35 |
| SH-450 | — | — | 17.7 | 450 | 22.9 | 581 | 22.4 | 568 | 11.2 | 284 | 77 | 35 |
| SH-477 | — | — | 18.8 | 477 | 24.8 | 631 | 24.4 | 619 | 12.2 | 310 | 82 | 37 |
| SH-500 | — | — | 19.7 | 500 | 24.8 | 631 | 24.4 | 619 | 12.2 | 310 | 82 | 37 |
| SH-594 | — | — | 23.4 | 594 | 28.8 | 731 | 28.4 | 721 | 14.2 | 361 | 93 | 42 |

1. Dimensions and weights are for reference only. These may change without notice. Contact CIDRA for latest information.

2. All sensor head assemblies, independent of pipe size, are compatible with all transmitters.